

Parts Catalog

Phoenix 28/30/33

28"-33" Walk Behind Scrubber



Table of Contents

Chassis, cpl. part 1 (97094783-7311-22-23-1)	4
Chassis, cpl. part 2 (97094783-2 7311-43-44)	10
Chassis, cpl. part 3 - Suction unit connection (97094783-3 7311-43-44)	14
Battery tray (97099956)	29
Hopper cpl. part1 - Traverse (97112148-1)	31
Hopper cpl. part2 - Lifting device (97112148-2)	33
Suction (97092811)	37
Squeegee operation (Available! No.: 00009000) (00009000)	39
Squeegee lock (97099931)	41
Squeegee 1100 mm cpl. (from appr. 4/2012) (97115596)	43
Operation handle (97096523)	47
Electric part 1 (97101968-1)	51
Electric part 2 (97101968-2)	55
Battery charger 24V 22A (97099436)	57
Labels (97121412)	59
Optional brush decks (Opt 7311-43-44).....	61

This manual covers all standard Phoenix 28/30/33 models:

Model No.

The machine will provide excellent service. However, the best results will be obtained if:

- The machine is operated with reasonable care.
- The machine is maintained regularly per the maintenance schedule in the instruction manual provided.
- The machine is maintained with PowerBoss OEM supplied or equivalent parts.

All right side and left side references to the machine are determined by facing the direction of forward travel. Parts may be ordered by phone or mail from any PowerBoss parts and service center. Before ordering parts or supplies be sure to have your machine model number and serial number handy.

Fill out the data block below for future reference.

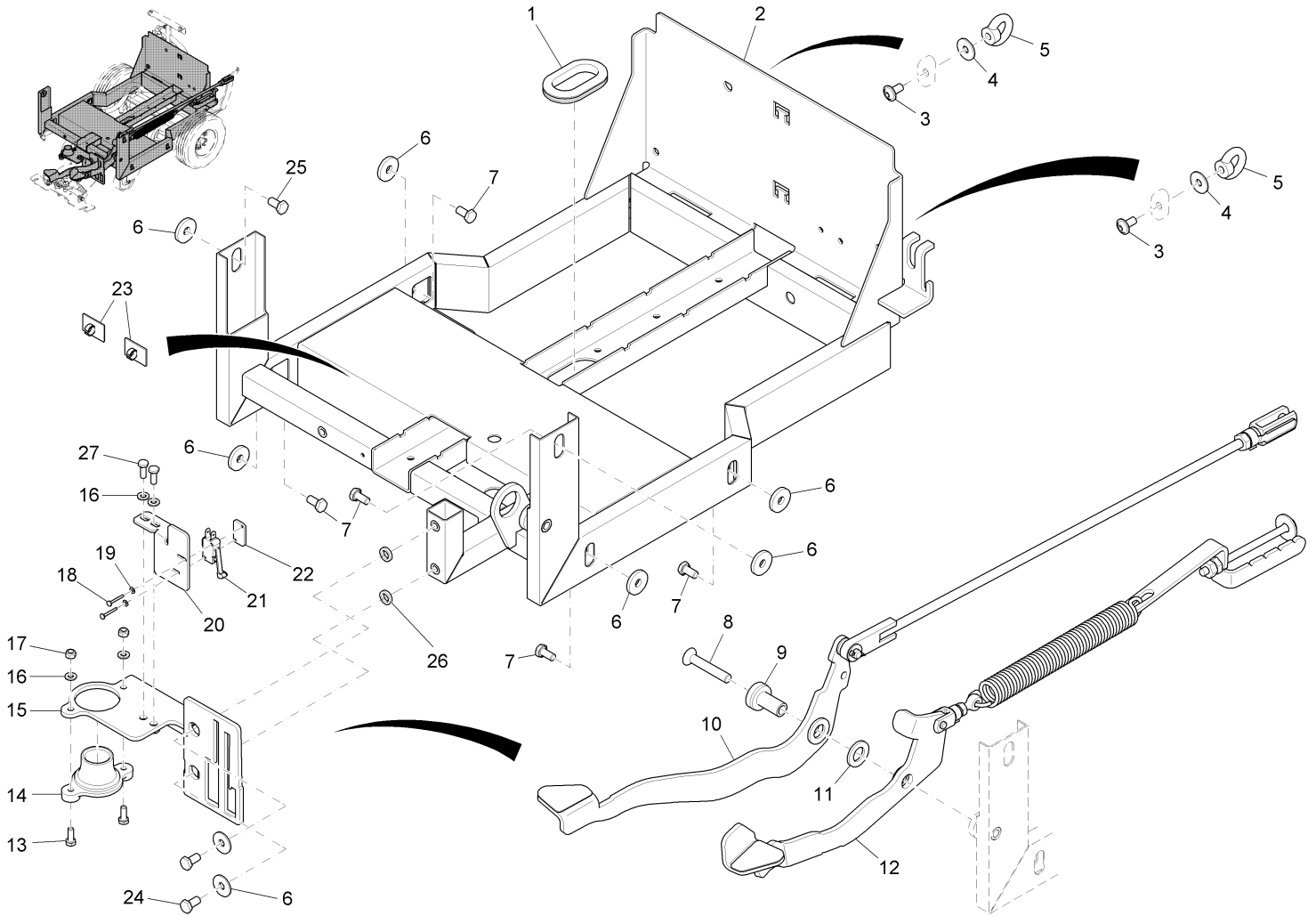
MACHINE DATA Fill Out At Installation	
Model:	Phoenix 28/30/33
Serial Number:	_____
Sales Rep or Dealer	_____
Date of Install:	_____
Manual p/n:	988745PB

All information contained in this manual is current at the time of printing However, PowerBoss Reserves the right to make changes at any time without notice.

© 2012, Powerboss, Inc., Printed in USA

All rights reserved. This manual may not be copied or reproduced in any form, without the written permission of PowerBoss, Inc.

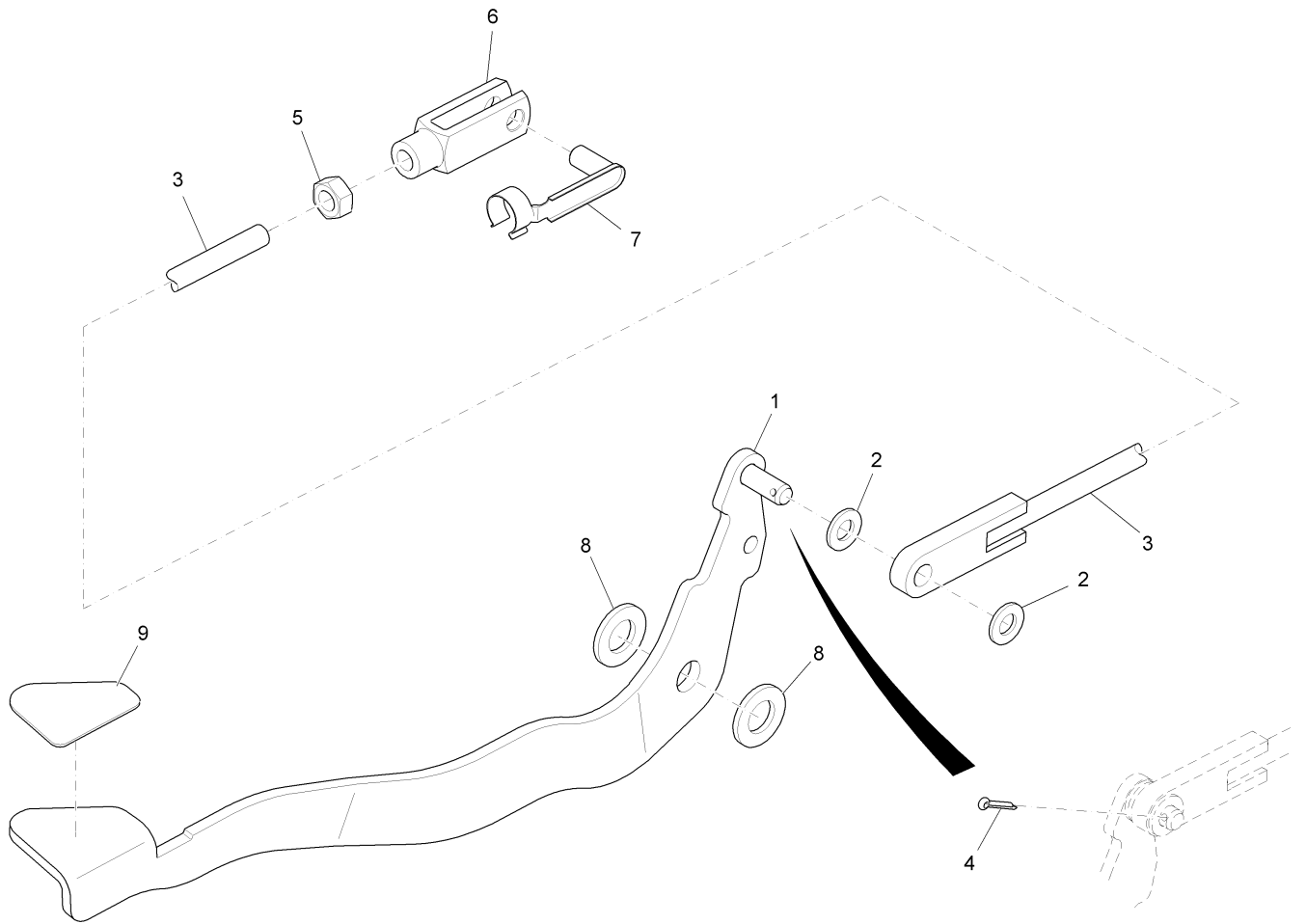
Chassis, cpl. part 1 (97094783-7311-22-23-1)



Chassis, cpl. part 1 (97094783-7311-22-23-1)

Item	Part number	Description	Qty.	Remarks
1	01078440	Grommet	1	
2	03007640	Chassis	1	
3	01006820	Lens flange screw	2	
4	00042900	Washer	4	
5	01078450	Nut	2	
6	00047990	Disk wheel	10	
7	00053080	Hexagon screw	8	
8	01078140	Countersunk screw	1	
9	01077800	Bushing	1	
10	97093181	Lifting pedal	Page 6	
11	00053790	Washer	1	
12	97093272	Brush pression adjustment	Page 8	
13	00053020	Hexagon screw	2	
14	01077780	Bushing	1	
15	01079680	Sheet metal	1	
16	00053730	Washer	4	
17	00051520	Hexagon nut	2	
18	00022180	Hex.bolt	2	
19	00553740	Washer	2	
20	01170010	Retainer	1	
21	00975510	Micro switch	1	
22	01074840	Thread base plate	1	
23	01143190	Cable clip	2	
24	00053100	Hexagon screw	2	
25	00553690	Hex.bolt	1	
26	01079670	Spacer sleeve	2	
27	00053010	Hex.bolt	2	

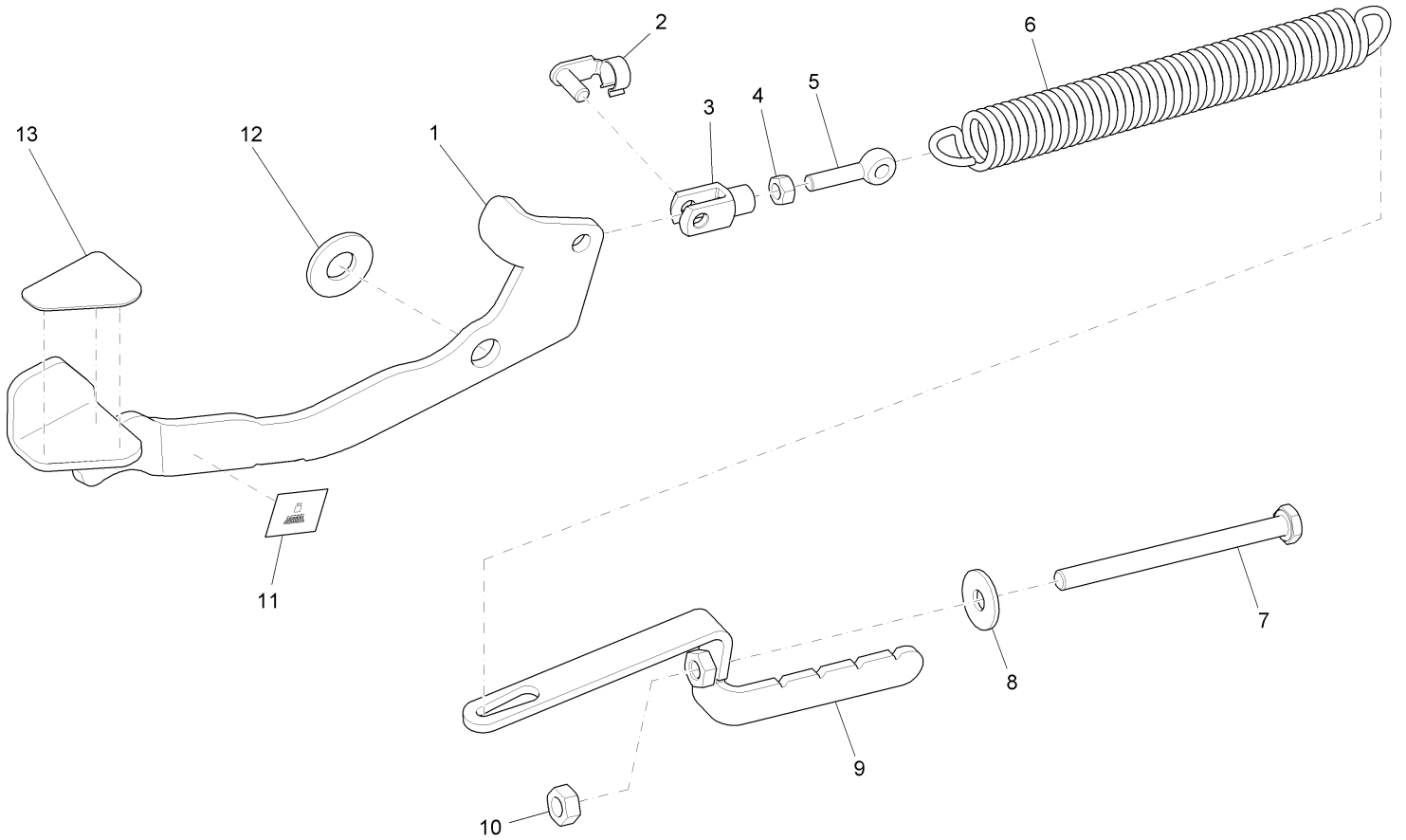
Lifting pedal (97093181)



Lifting pedal (97093181)

Item	Part number	Description	Qty.	Remarks
1	01170020	Lifting pedal	1	
2	00053760	Washer	2	
3	01077930	Rod	1	
4	00551410	Cotter pin	1	
5	00053360	Hexagon nut	1	
6	00925430	Fork yoke	1	
7	00925420	Bolt	1	
8	01078240	Washer	2	
9	01078560	Decal	1	

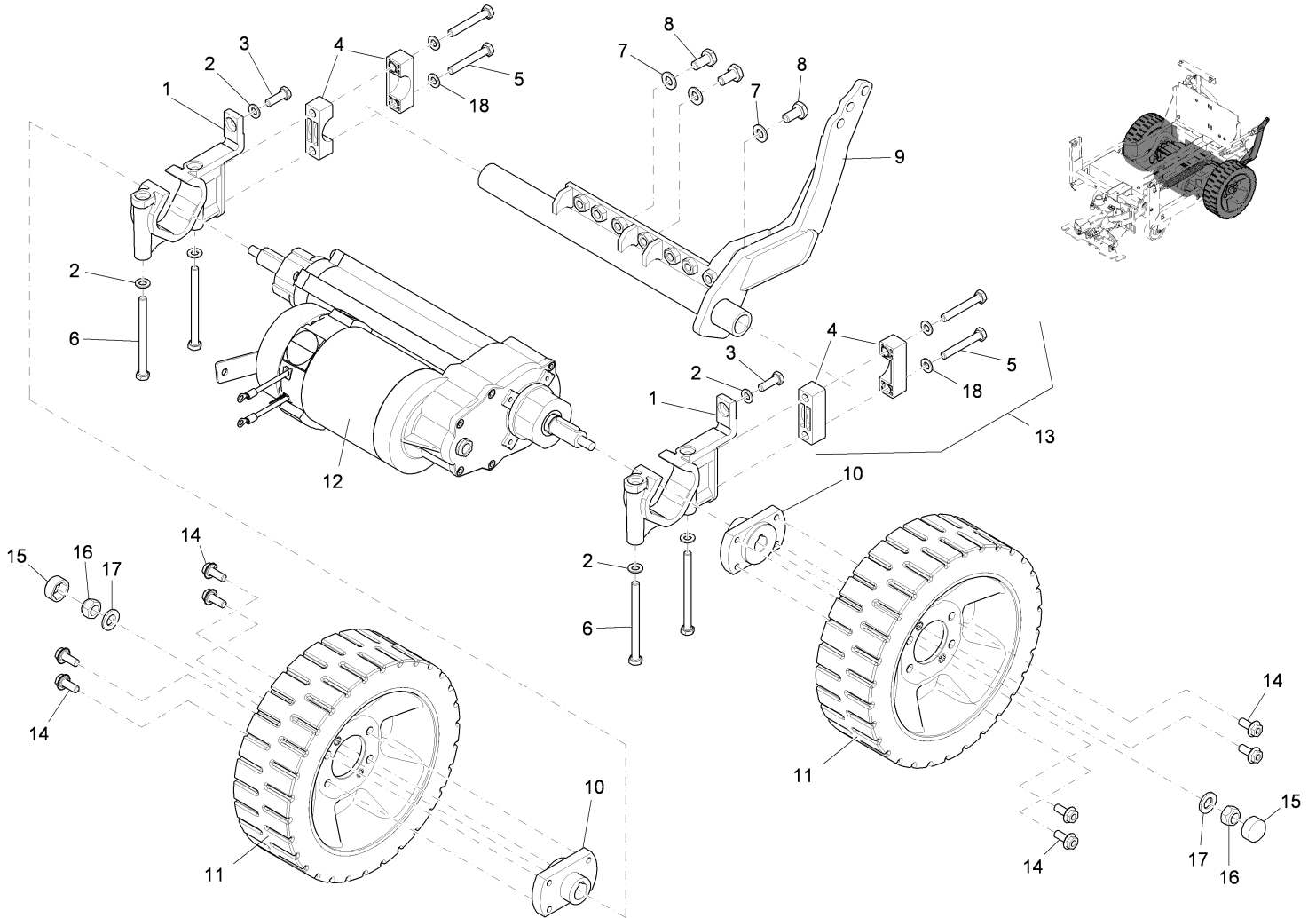
Brush pression adjustment (97093272)



Brush pression adjustment (97093272)

Item	Part number	Description	Qty.	Remarks
1	01078550	Pedal	1	
2	00151400	Bolt	1	
3	00151440	Fork yoke	1	
4	00053350	Hexagon nut	1	
5	00735690	Eye bolt	1	
6	01077770	Tension spring	1	
7	01031550	Hexagon screw	1	
8	00046520	Washer	1	
9	01078500	Sheet metal	1	
10	00053360	Hexagon nut	1	
11	01074580	Decal BRUSH PRESSURE	1	
12	01078240	Washer	1	
13	01078560	Decal	1	

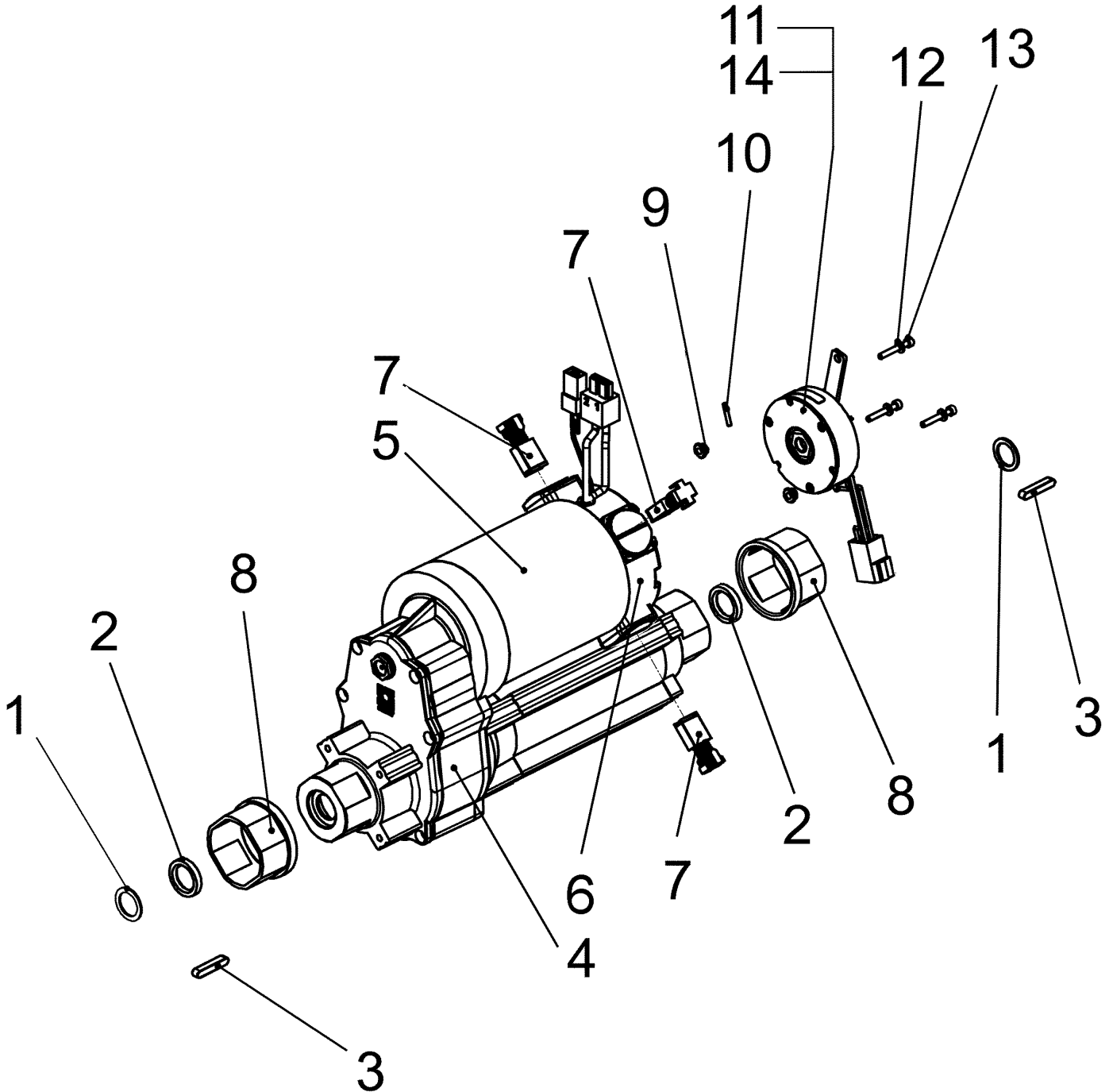
Chassis, cpl. part 2 (97094783-2 7311-43-44)



Chassis, cpl. part 2 (97094783-2 7311-43-44)

Item	Part number	Description	Qty.	Remarks
1	01078480	Bearing AMER	2	
2	00053750	Washer	10	
3	00053100	Hexagon screw	1	
4	01078020	Block	4	from appr. march 2008; if you want to exchange older blocks, please order Pos. 13!
5	00053260	Hex.bolt	4	
6	00053140	Hex.bolt	4	
7	00053760	Washer	3	
8	00053310	Hexagon screw	3	
9	01078490	Lever	1	
10	01078010	Hub	2	
11	01071180	Wheel	2	
12	01171400	Traction drive B120	Page	12
13	00008980	Block	1	incl. Pos.4,5,18: please order kit because it's necessary to exchange all 4 blocks
14	01171260	Hexagon screw	8	Tightening torque: 38 Nm
15	01031540	protection cap	2	
16	00051490	Hexagon nut	2	
17	00053770	Washer	2	
18	00042900	Washer	4	

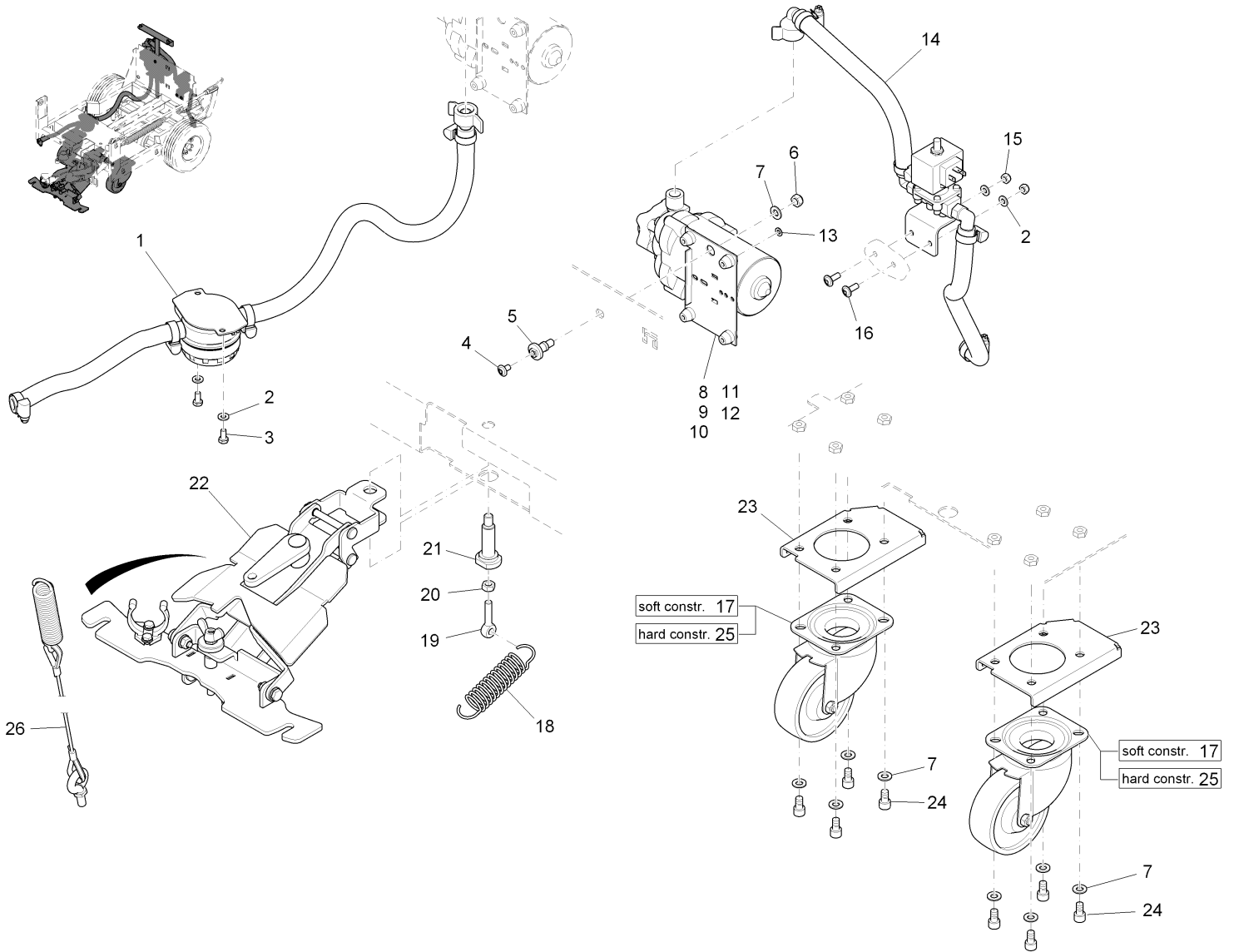
Traction drive B120 (01171400)



Traction drive B120 (01171400)

Item	Part number	Description	Qty.	Remarks
1	01077430	Washer	2	
2	01171670	Gasket	2	
3	01077410	Fitting key	2	
4	01171750	Gear with shaft	1	
5	01171740	Motor	1	
6	01171680	End cap	1	
7	01171690	Carbon brush	4	
8	01077400	Bushing	2	
9	01077380	Nut	4	
10	01171700	Spring pin	1	
11	01171710	Parking brake	1	
12	01171720	Washer	3	
13	01171730	Screw	3	
14	01173050	Micro switch	1	

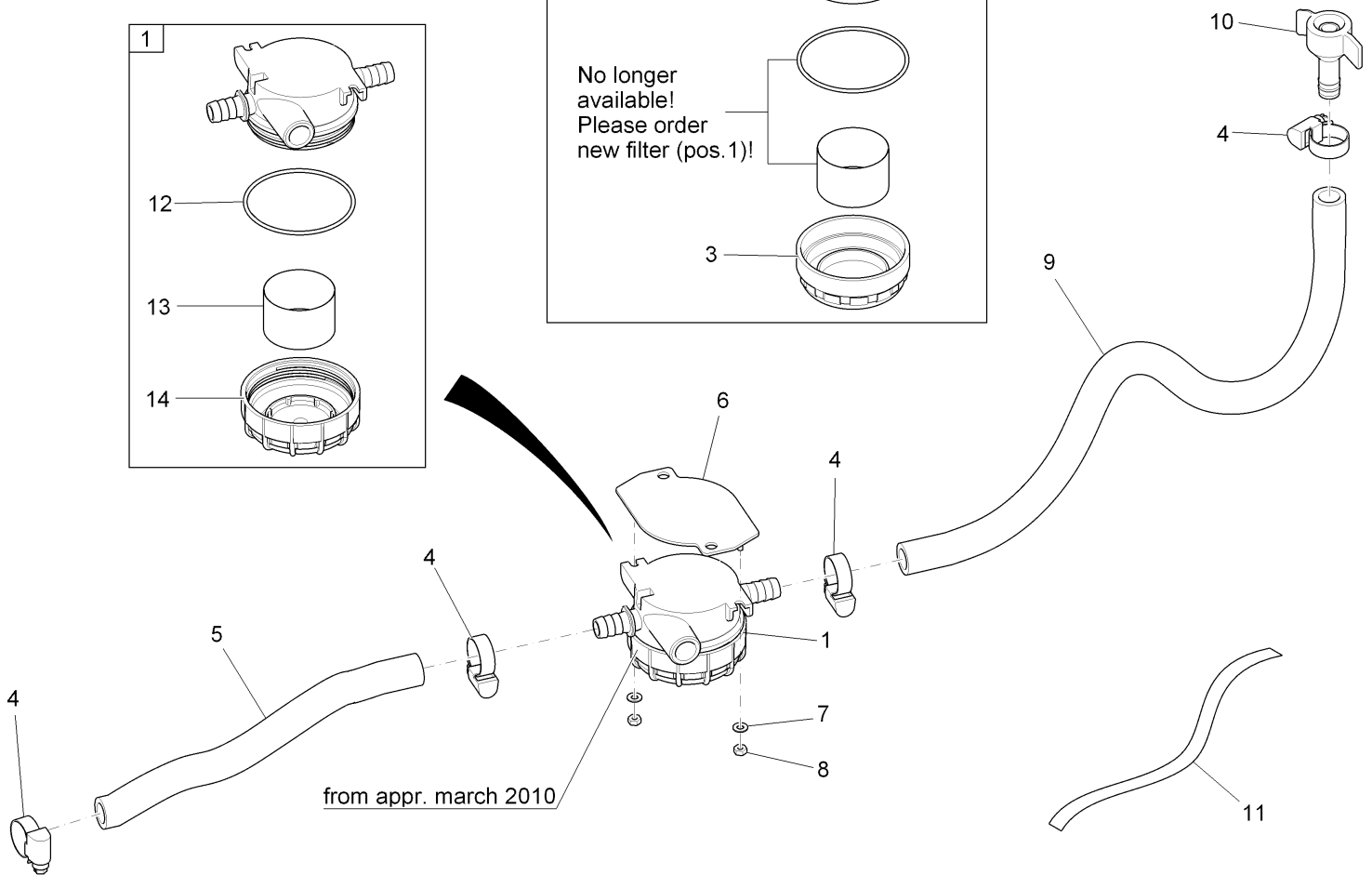
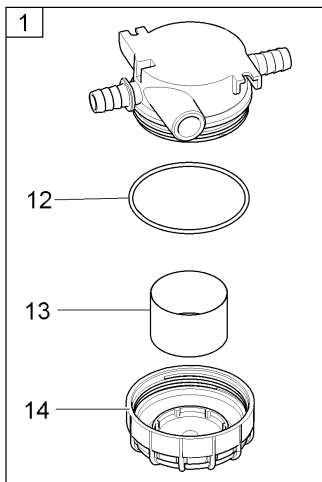
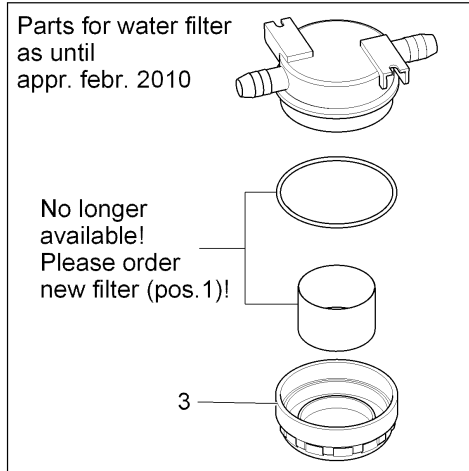
Chassis, cpl. part 3 - Suction unit connection (97094783-3 7311-43-44)



Chassis, cpl. part 3 - Suction unit connection (97094783-3 7311-43-44)

Item	Part number	Description	Qty.	Remarks
1	97094981	Water supply	Page	16
2	00053730	Washer	4	
3	00104500	Hexagon screw	2	
4	01072520	Lens flange screw	1	
5	01077820	Bushing	1	
6	00051510	Hexagon nut	1	
7	00053750	Washer	9	
8	00543750	Pump	1	
9	00559670	Case	1	
10	00083640	Plastic cover	1	
11	00083650	Plastic cover	1	
12	00903190	Tab	1	
13	00053720	Washer	1	
14	97094999-7062-20	Water supply	Page	18
15	00051520	Hexagon nut	2	
16	01017640	Lens flange screw	2	
17	01079660	Steering roller	2	Soft construction
18	01078150	Tension spring	1	
19	00735690	Eye bolt	1	
20	00046500	Hex. Nut	1	
21	01077830	Pivot	1	
22	03008100	Squeegee connection (Available! No.: 03008100)	Page	20
23	01171560	Sheet metal	2	
24	00103300	Socket head screw	8	
25	01079440	Steering roller	2	Hard construction
26	01170560	Linkage		

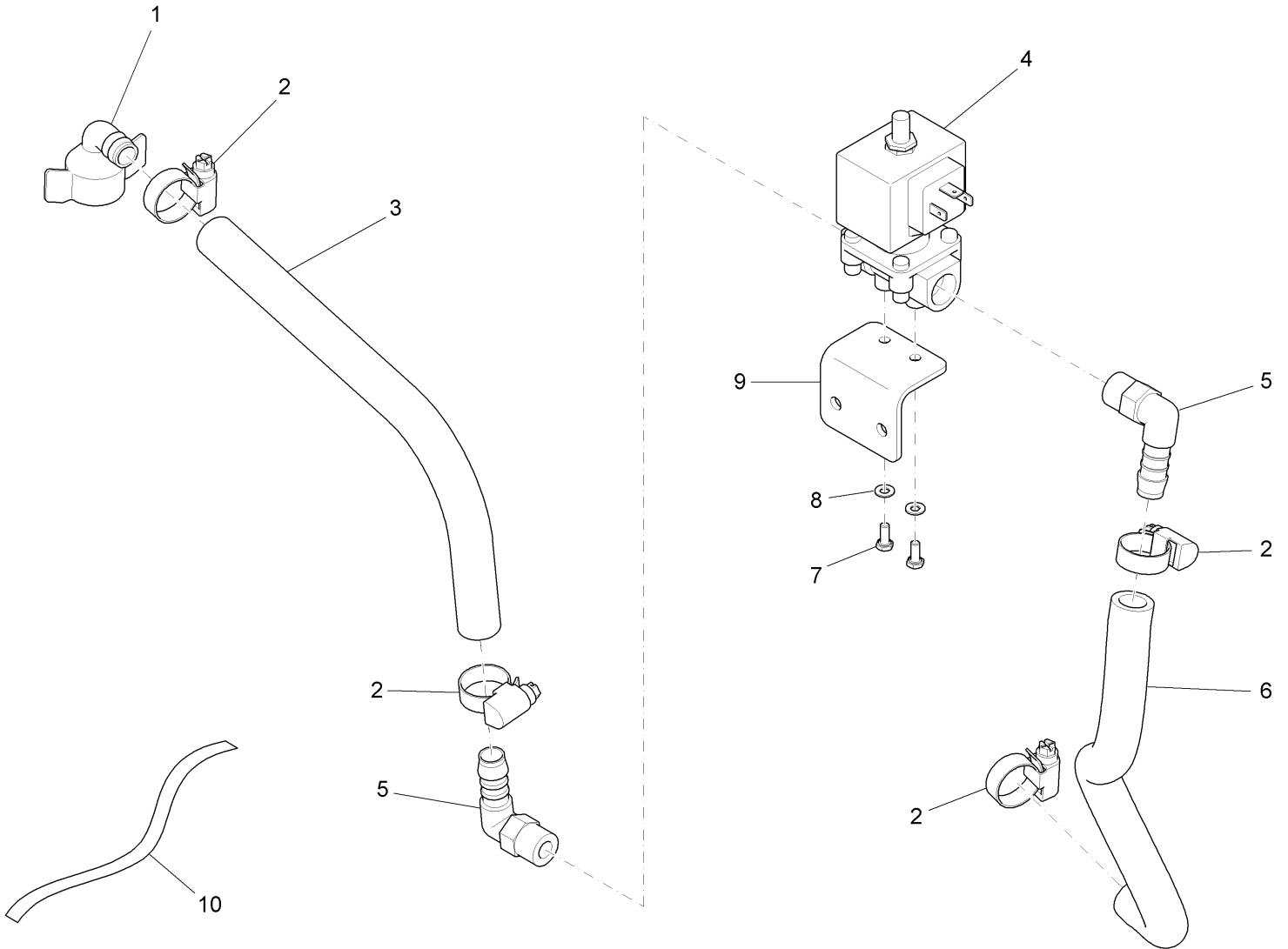
Water supply (97094981)



Water supply (97094981)

Item	Part number	Description	Qty.	Remarks
1	01077170	Water filter	1	
3	01076500	Screw cap	1	
4	01015350	Hose clamp	4	
5	00200170	PVC hose	300mm	
6	01078510	Sheet metal	1	
7	00053710	Washer	2	
8	00133830	Hex. Nut	2	
9	00200170	PVC hose	480mm	
10	01071450	Screwing	1	
11	03007630	Sealing band	1	
12	01178130	O-ring	1	
13	01178210	Strainer	1	
14	01177090	Filter cover	1	

Water supply (97094999-7062-20)





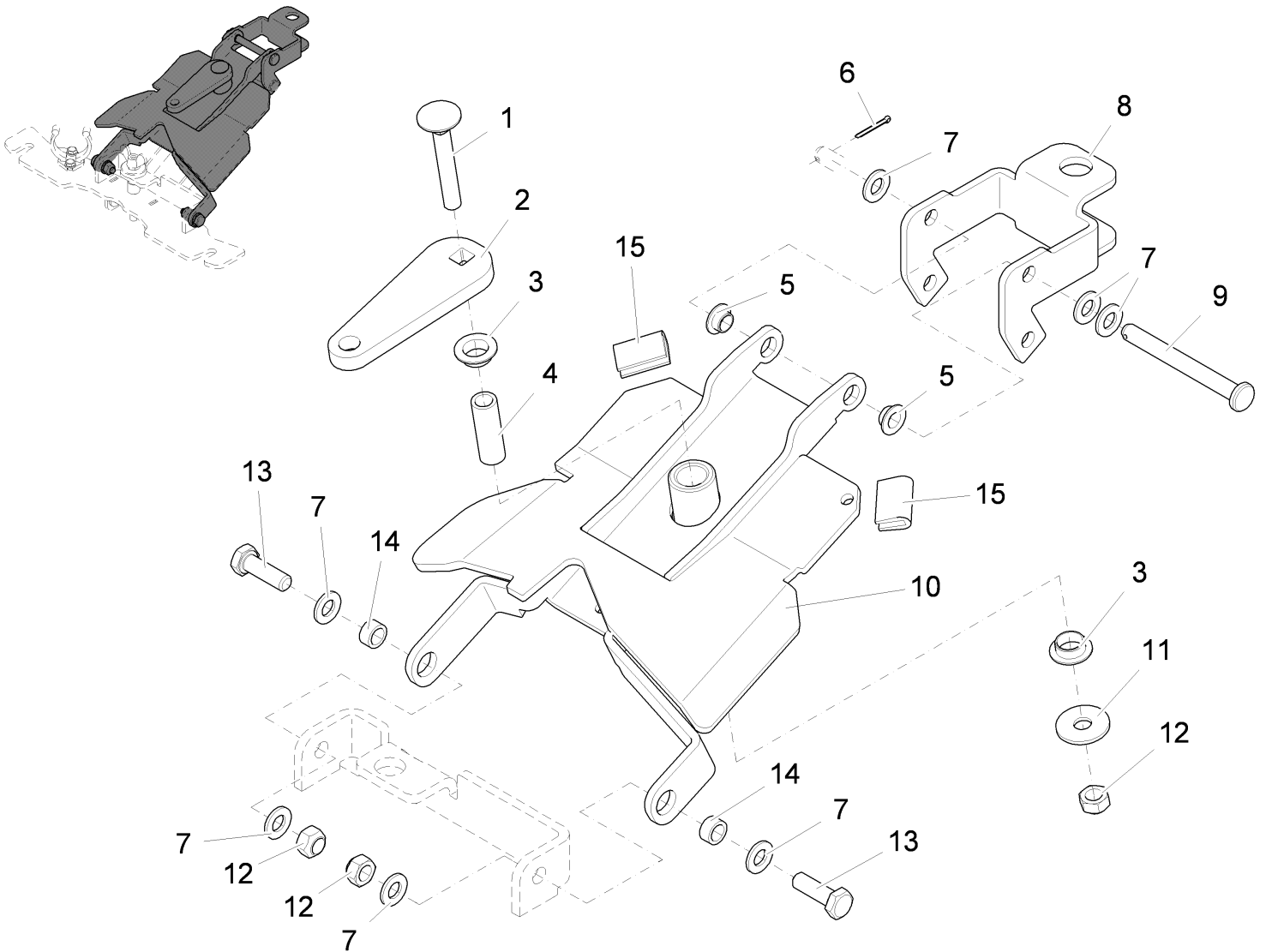
Water supply (97094999-7062-20)

Item	Part number	Description	Qty.	Remarks
1	00154140	Screwed angle fitting	1	
2	01015350	Hose clamp	4	
3	00200170	PVC hose	1	
4	01071000	Electrovalve	1	
5	00020020	Angle socket	2	
6	00200170	PVC hose	1	
7	00058580	Hex.bolt	2	
8	00053710	Washer	2	
9	01170030	Retainer	1	
10	03007630	Sealing band	1	

Squeegee connection (Available! No.: 03008100) (03008100)

Assembly	Description	Page
97099915-1	Squeegee connection (until appr. 15. Apr. 2008) part 1	21
97099915-2	Squeegee connection (until appr. 15. Apr. 2008) part 2	23
03008100BT10	Squeegee connection (from appr. 15. Apr. 2008) part 1	25
03008100BT20	Squeegee connection (from appr. 15. Apr. 2008) part 2	27

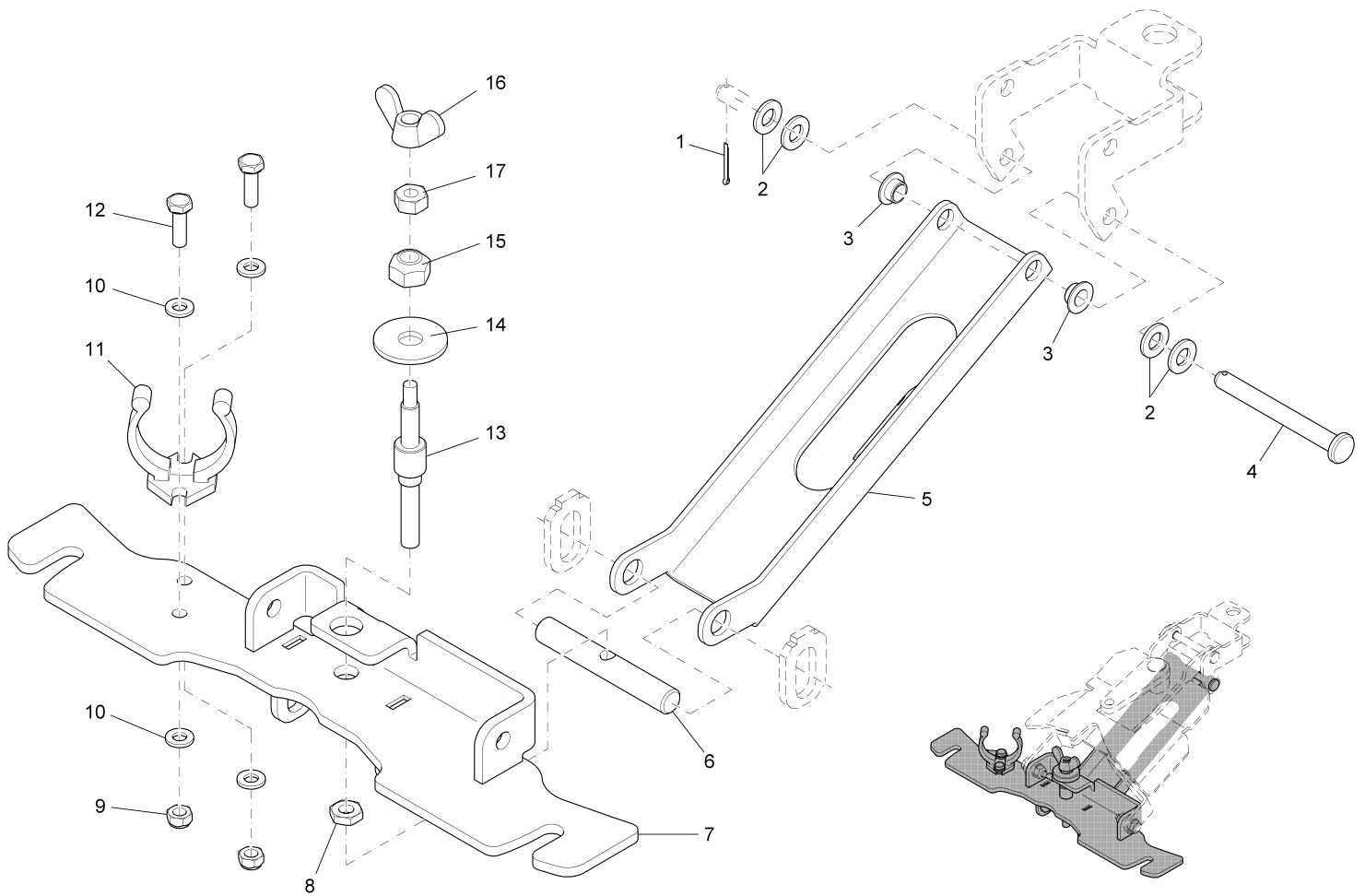
Squeegee connection (until appr. 15. Apr. 2008) part 1 (97099915-1)



Squeegee connection (until appr. 15. Apr. 2008) part 1 (97099915-1)

Item	Part number	Description	Qty.	Remarks
1	01130940	Cup head square neck bolt	1	
2	01170040	Sheet metal	1	
3	01077510	Slide bearing bush	2	
4	01170160	Pipe	1	
5	01078230	Slide bearing bush	2	
6	00054860	Cotter pin	1	
7	00053750	Washer	5	
8	01079280	Round part	1	
9	01078220	Bolt	1	
10	01079290	Sheet metal	1	
11	00042900	Washer	1	
12	00051510	Hexagon nut	3	
13	00053100	Hexagon screw	2	
14	01077700	Bushing	2	
15	00161240	Edge protection	1	

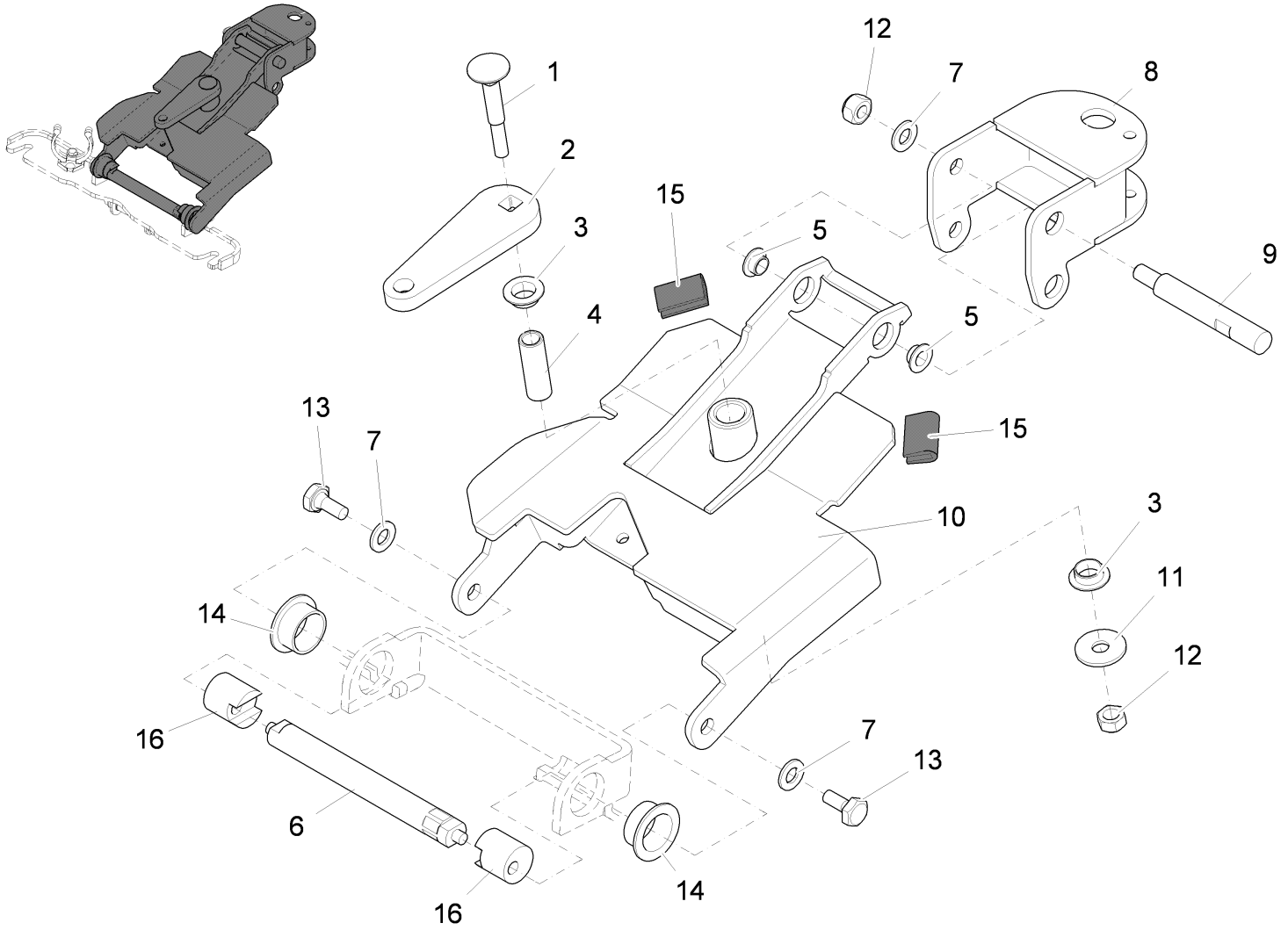
Squeegee connection (until appr. 15. Apr. 2008) part 2 (97099915-2)



Squeegee connection (until appr. 15. Apr. 2008) part 2 (97099915-2)

Item	Part number	Description	Qty.	Remarks
1	00054860	Cotter pin	1	
2	00053750	Washer	1	
3	01078230	Slide bearing bush	2	
4	01170050	Bolt	1	
5	01079320	Draft link	1	
6	01077680	Bolt	1	
7	01079330	Sheet metal	1	
8	00046500	Hex. Nut	2	
9	00051520	Hexagon nut	2	
10	00053730	Washer	4	
11	01078120	Hose support	1	
12	00053020	Hexagon screw	2	
13	01077850	Threaded pin	1	
14	00042900	Washer	1	
15	00051510	Hexagon nut	1	
16	00054020	Wing nut	1	
17	00053330	Hexagon nut	1	

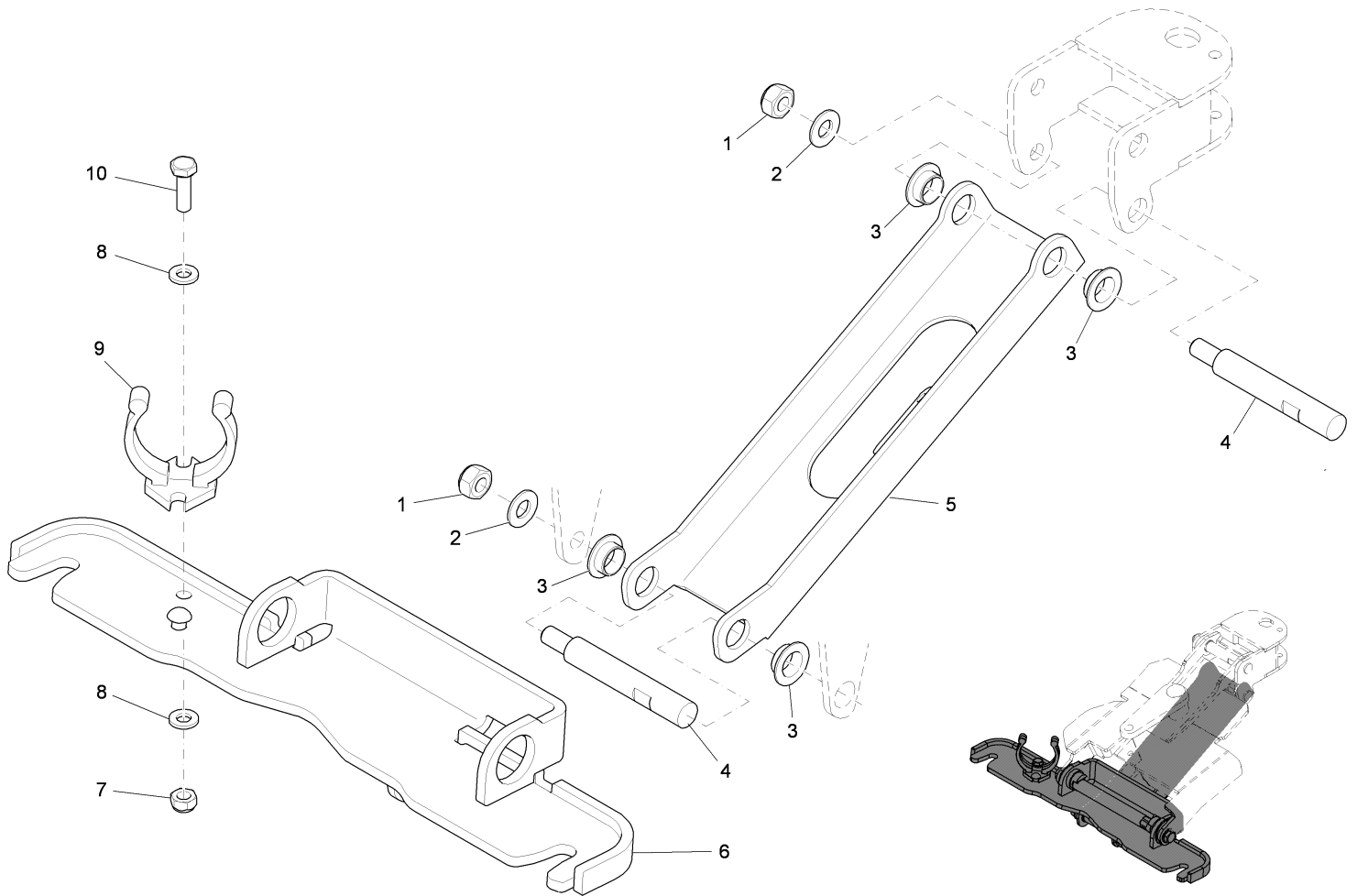
Squeegee connection (from appr. 15. Apr. 2008) part 1 (03008100BT10)



Squeegee connection (from appr. 15. Apr. 2008) part 1 (03008100BT10)

Item	Part number	Description	Qty.	Remarks
1	01130940	Cup head square neck bolt	1	
2	01170040	Sheet metal	1	
3	01077510	Slide bearing bush	2	
4	01171550	Bushing	1	
5	01171330	Slide bearing bush	2	
6	01171360	Shaft	1	
7	00101550	Washer	3	
8	01171290	Round part	1	
9	01171540	Threaded bolt	1	
10	01171300	Sheet metal	1	
11	00042900	Washer	1	
12	00101540	Hexagon nut	2	
13	01071740	Hex.bolt	2	
14	01130470	Slide bearing bush	2	
15	00161240	Edge protection	60mm	
16	01171370	Excentric	2	

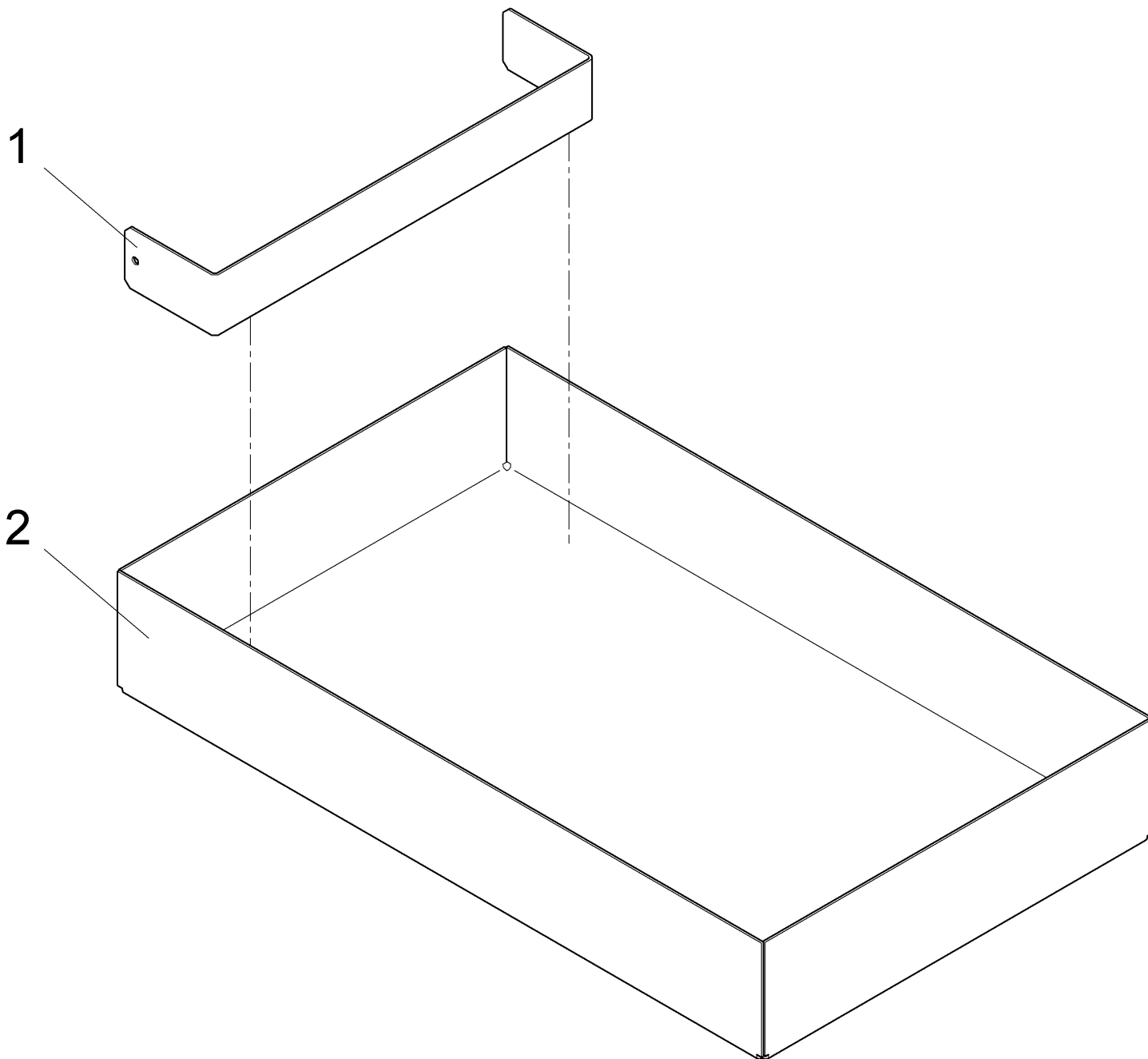
Squeegee connection (from appr. 15. Apr. 2008) part 2 (03008100BT20)



Squeegee connection (from appr. 15. Apr. 2008) part 2 (03008100BT20)

Item	Part number	Description	Qty.	Remarks
1	00101540	Hexagon nut	2	
2	00101550	Washer	2	
3	01171330	Slide bearing bush	2	
4	01171540	Threaded bolt	3	
5	01171280	Draft link	1	
6	01171310	Sheet metal	1	
7	00051520	Hexagon nut	1	
8	00053730	Washer	2	
9	01078120	Hose support	1	
10	00053020	Hexagon screw	1	

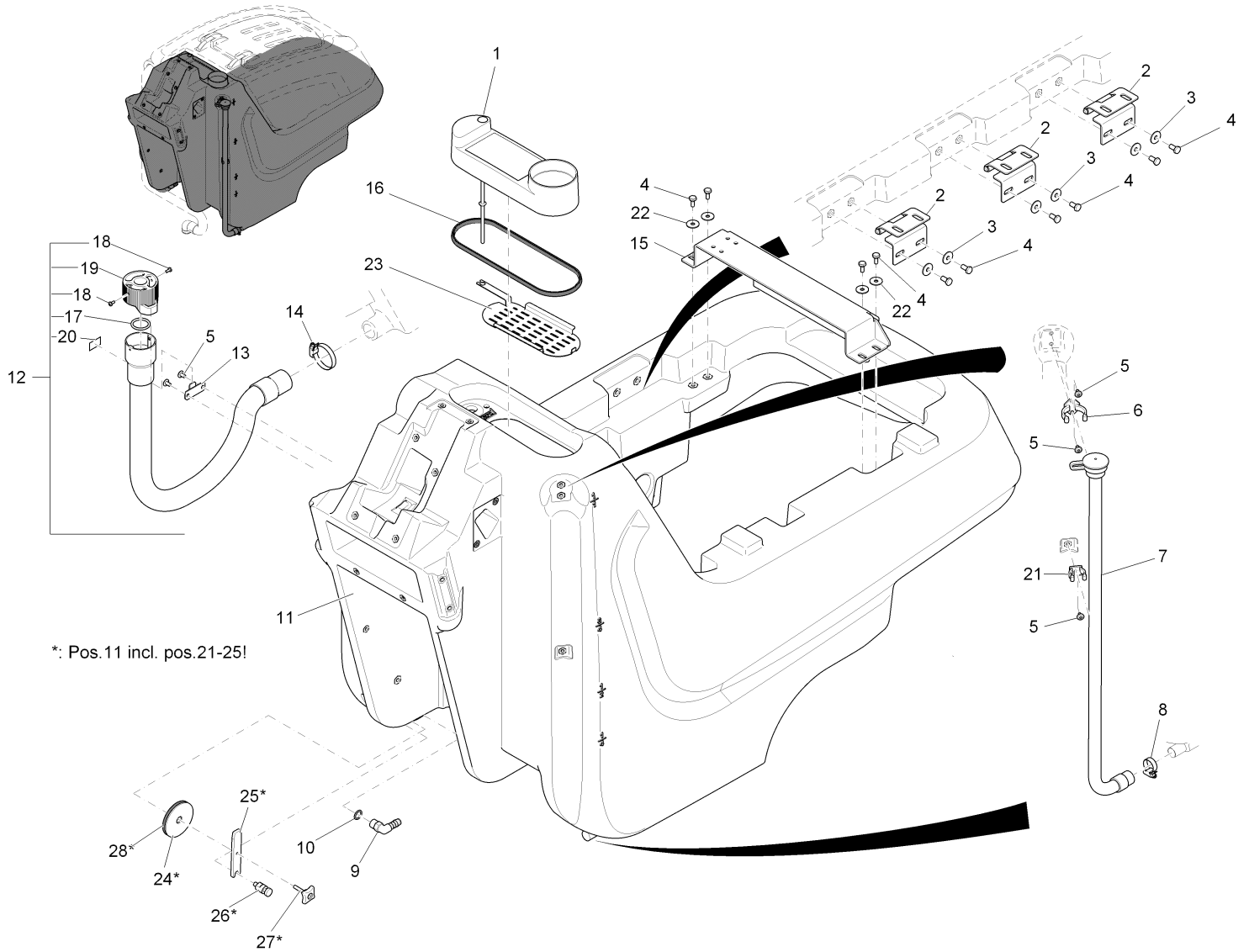
Battery tray (97099956)



Battery tray (97099956)

Item	Part number	Description	Qty.	Remarks
1	01170760	Sheet metal	1	
2	03008190	Battery tray	1	

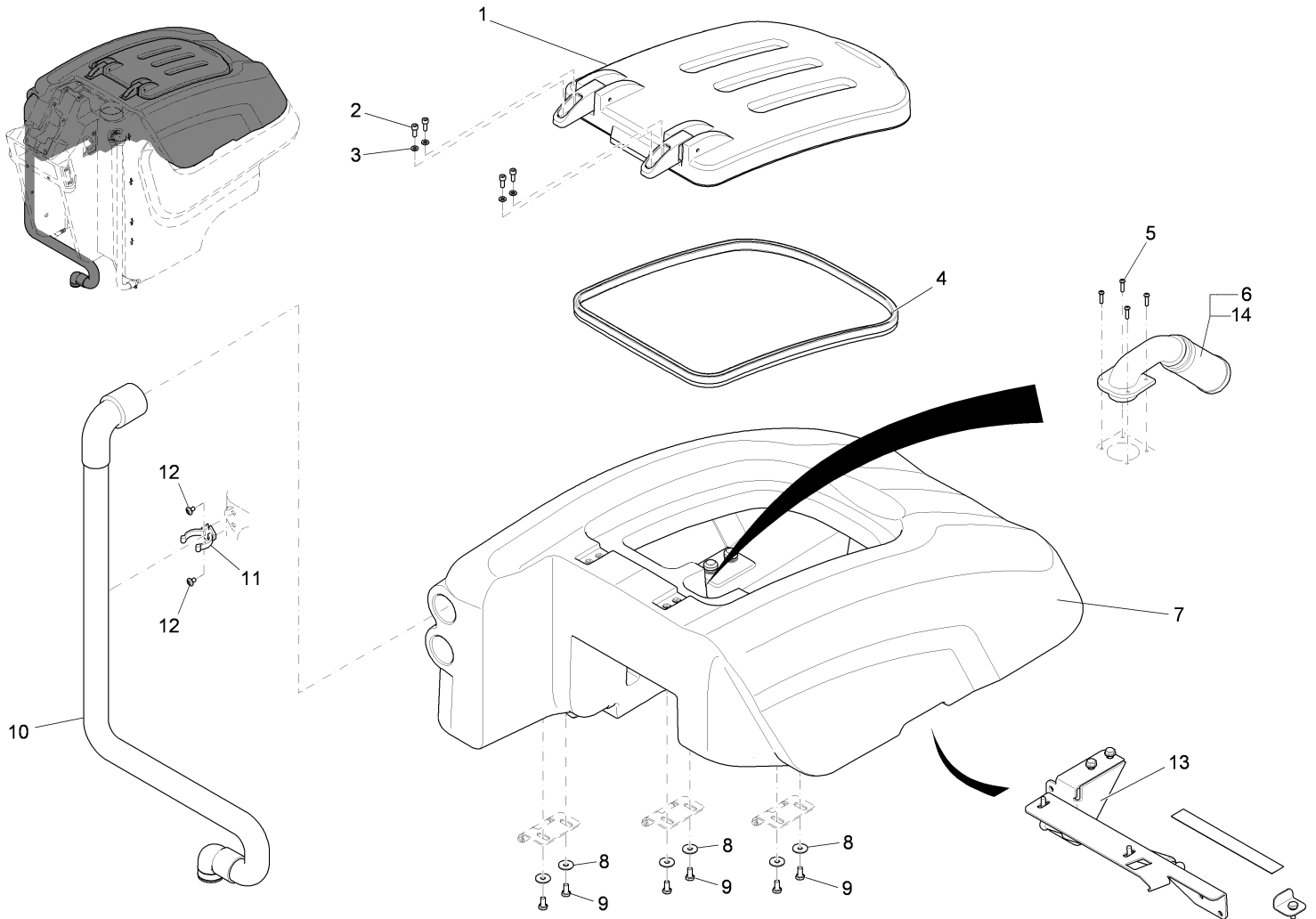
Hopper cpl. part1 - Traverse (97112148-1)



Hopper cpl. part1 - Traverse (97112148-1)

Item	Part number	Description	Qty.	Remarks
1	01078100	Fresh water cap	1	
2	01078110	Hinge	3	
3	00047990	Disk wheel	6	
4	00053080	Hexagon screw	10	
5	01072520	Lens flange screw	5	
6	01078120	Hose support	1	
7	01170530	Hose	1	
8	01161690	Clamp	1	
9	00020020	Angle socket	1	
10	00057720	O-ring oil resistant	1	
11	01171570	Fresh water tank	1	Attention: with ordering of hopper at the first time please order pos. 24-28, tool
12	01077960	Foul water hose	1	
13	01077860	Hook	1	
14	00751160	Hose clamp	1	
15	01171580	Cross beam	1	
16	00721090	Edge protection	710mm	
17	01079300	O-Ring	1	
18	00906100	Fillister-head screw	2	
19	00906110	Cover	1	
20	01170060	Decal FOUL WATER	1	
21	01171590	Hose support	1	
22	00042900	Washer	4	
23	01177520	Strainer	1	
24	01178730	Cover	1	
25	01178760	Bracket	1	
26	01178750	Screw	1	
27	01178770	Star handle screw	1	
28	01178740	Gasket	1	

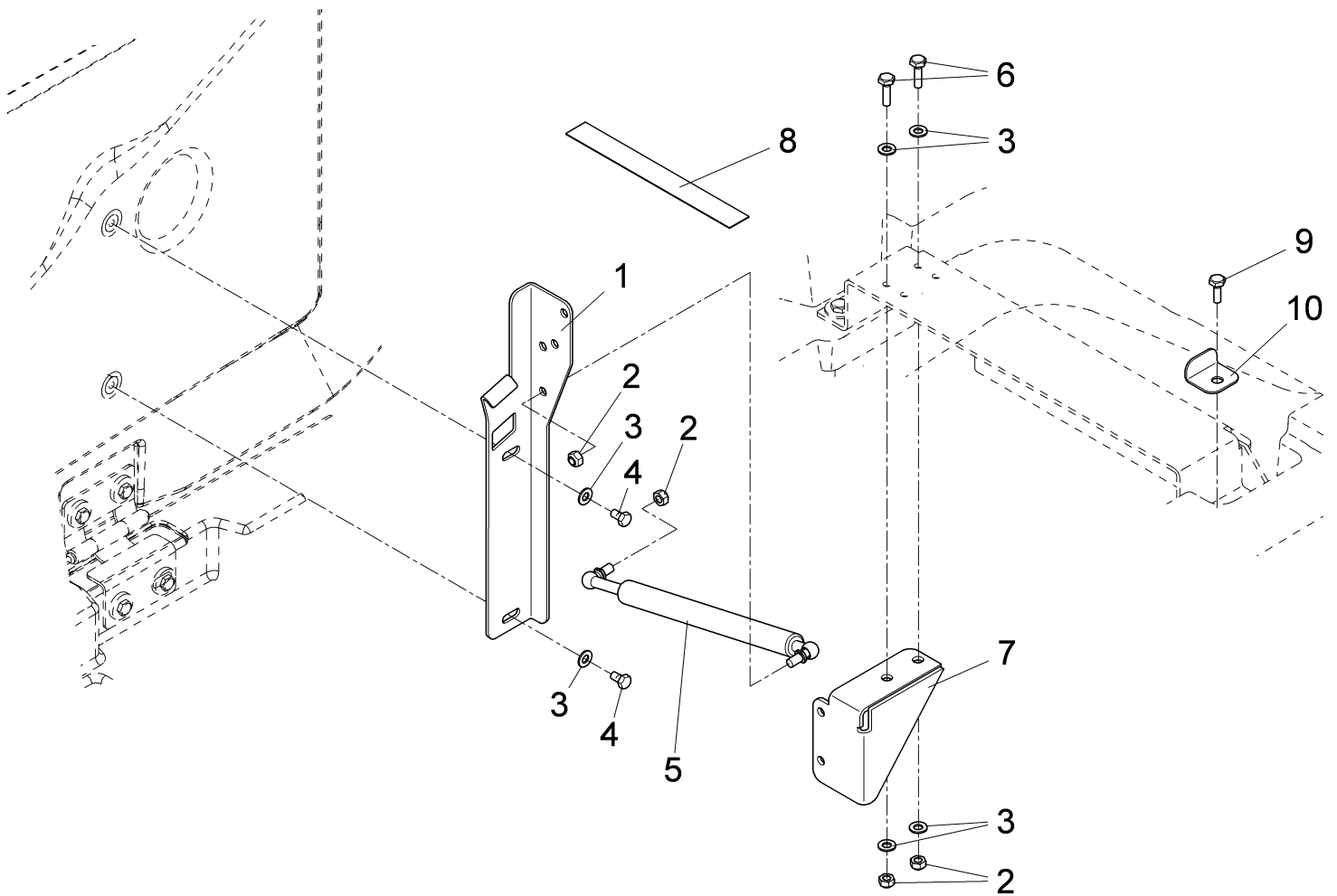
Hopper cpl. part2 - Lifting device (97112148-2)



Hopper cpl. part2 - Lifting device (97112148-2)

Item	Part number	Description	Qty.	Remarks
1	01077990	Cover	1	
2	00136910	Cylinder head screw	4	
3	00053730	Washer	4	
4	01071770	Sealing profile	1580 mm	
5	01078160	Screw	4	
6	01078250	Filter unit	1	
7	01171600	Dirt container	1	
8	00047990	Disk wheel	6	
9	00053080	Hexagon screw	6	
10	01171610	Suction hose	1	
11	01078120	Hose support	1	
12	01072520	Lens flange screw	2	
13	97101653	Lifting device	Page	35
14	01274860	O-ring	1	

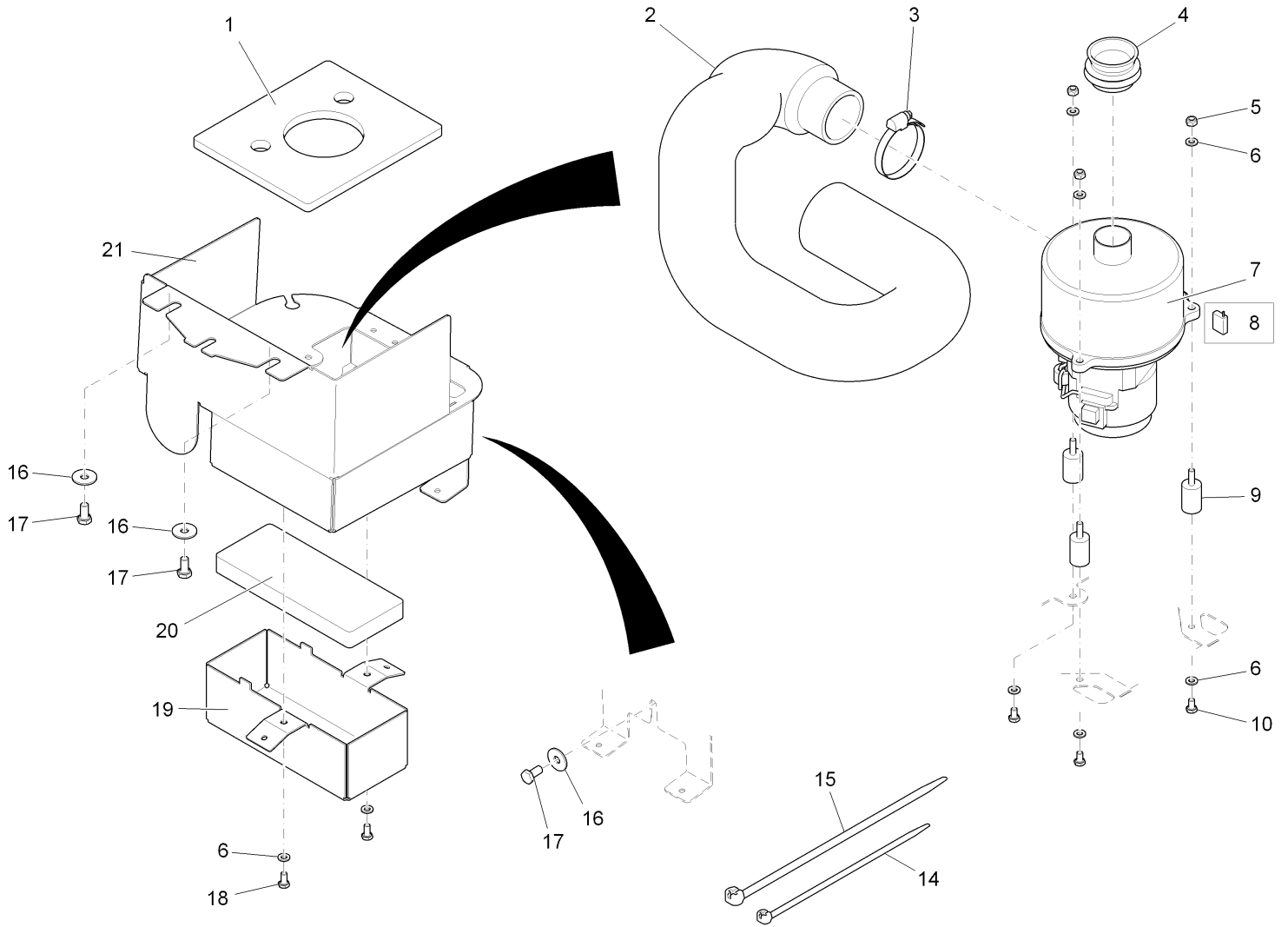
Lifting device (97101653)



Lifting device (97101653)

Item	Part number	Description	Qty.	Remarks
1	01171620	Angle	1	
2	00051510	Hexagon nut	4	
3	00053750	Washer	6	
4	00053080	Hexagon screw	2	
5	01171630	Pneumatic spring	1	
6	00053100	Hexagon screw	2	
7	01171640	Retainer	1	
8	01055740	Belt	1	
9	00053090	Hexagon screw	1	
10	01171650	Angle	1	

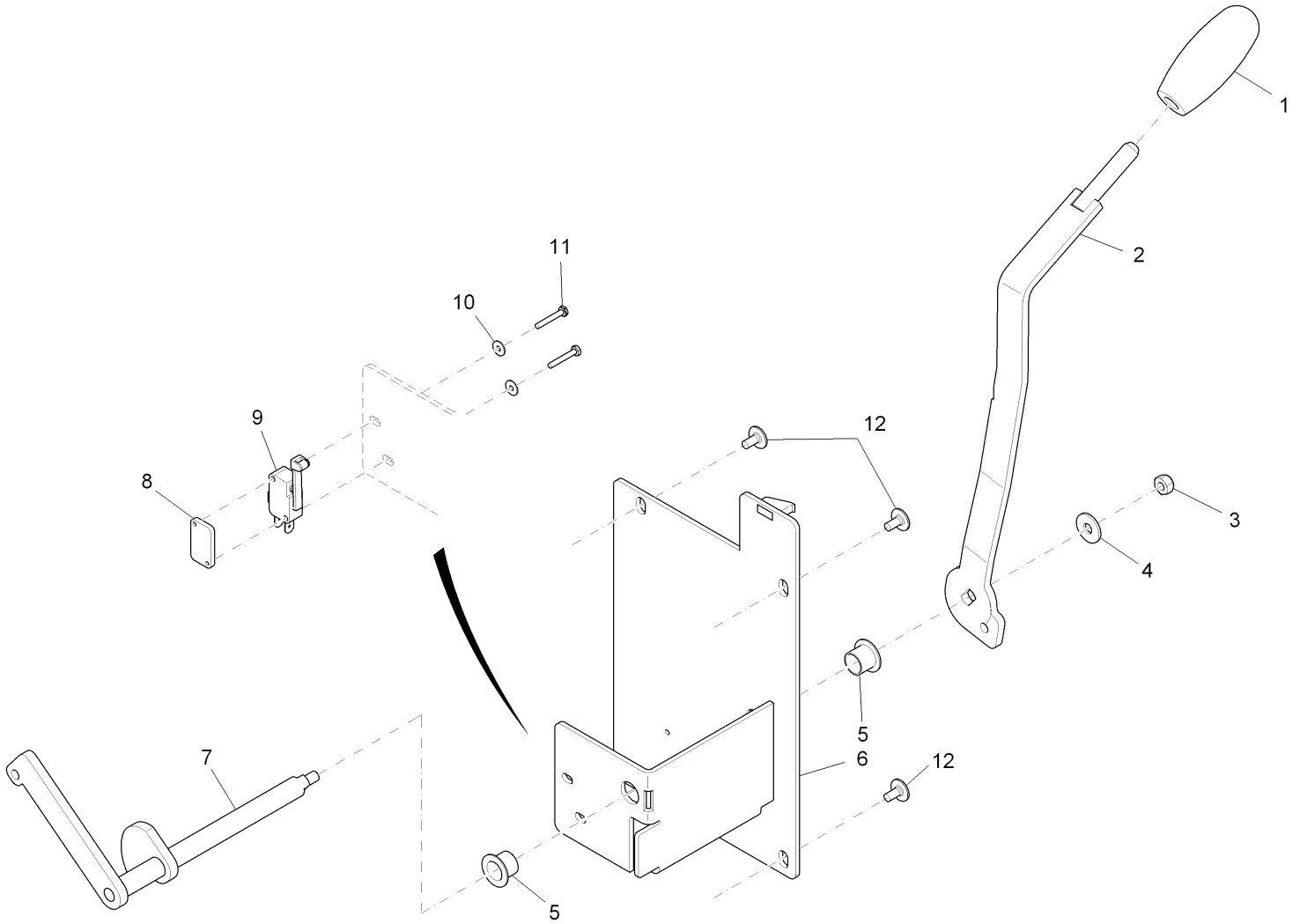
Suction (97092811)



Suction (97092811)

Item	Part number	Description	Qty.	Remarks
1	01079740	Insulation mat	1	
2	01077900	Hose	1	
3	00732130	Hose clamp	1	
4	01078180	Connection	1	
5	00051520	Hexagon nut	3	
6	00053730	Washer	8	
7	01079350	Suction motor	1	
8	00048840	Carbon brush	4	
9	01078190	Buffer	3	
10	00554850	Hex.bolt	3	
14	00121150	Cable tie	1	
15	00967760	Cable tie	4	
16	00042900	Washer	3	
17	00053080	Hexagon screw	3	
18	00104500	Hexagon screw	2	
19	01079750	Cover	1	
20	01079730	Insulation mat	1	
21	03007810	Sheet metal	1	

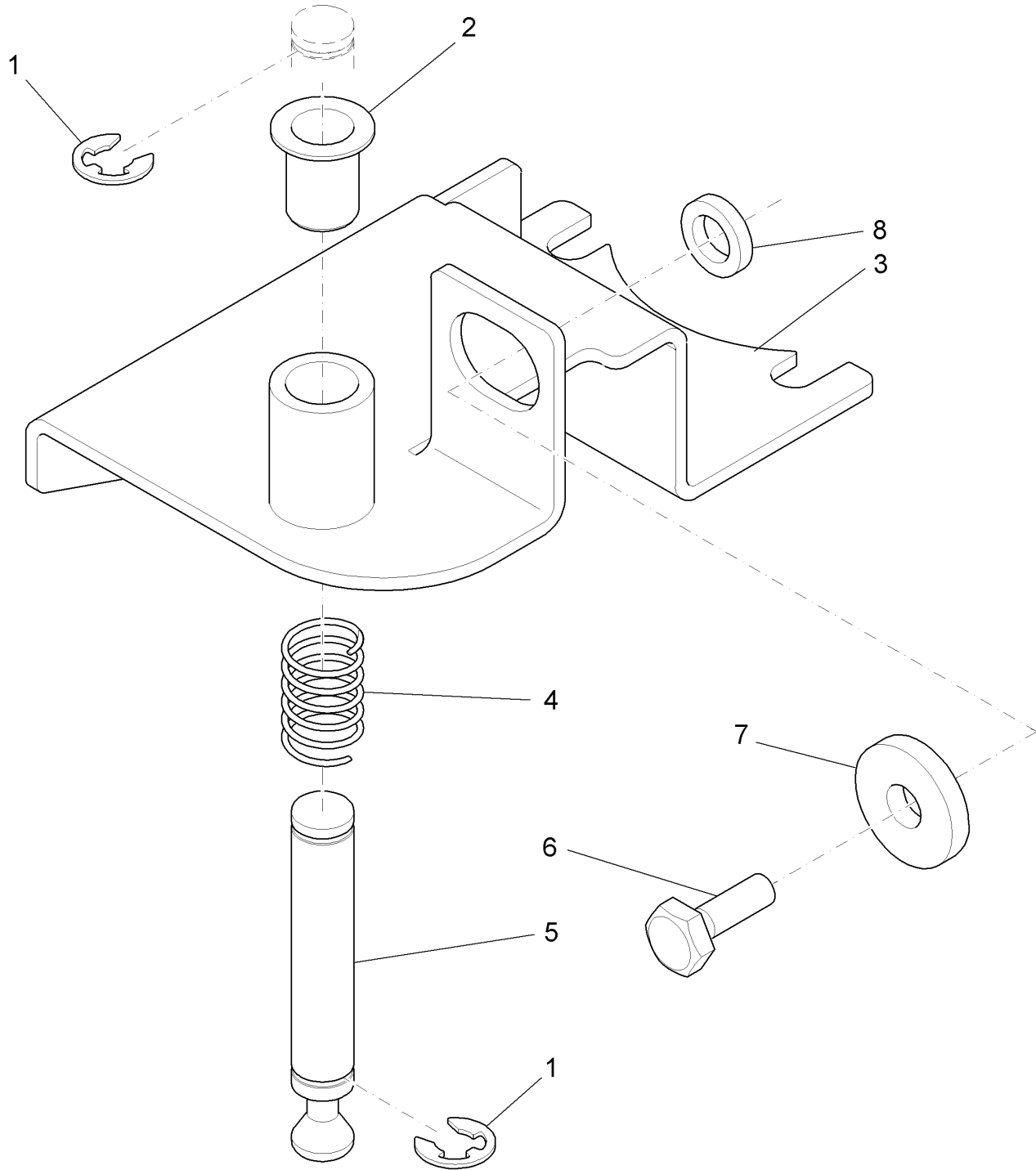
Squeegee operation (Available! No.: 00009000) (00009000)



Squeegee operation (Available! No.: 00009000) (00009000)

Item	Part number	Description	Qty.	Remarks
1	00705560	Handle	1	
2	01079160	Lever	1	
3	00051520	Hexagon nut	1	
4	00135120	Washer	1	
5	01071440	Plain bearing bush	2	
6	01079710	Support plate	1	
7	01079720	Shaft with cam	1	
8	01074840	Thread base plate	1	
9	00975510	Micro switch	1	
10	00747400	Washer	2	
11	00022180	Hex.bolt	2	
12	01072520	Lens flange screw	4	

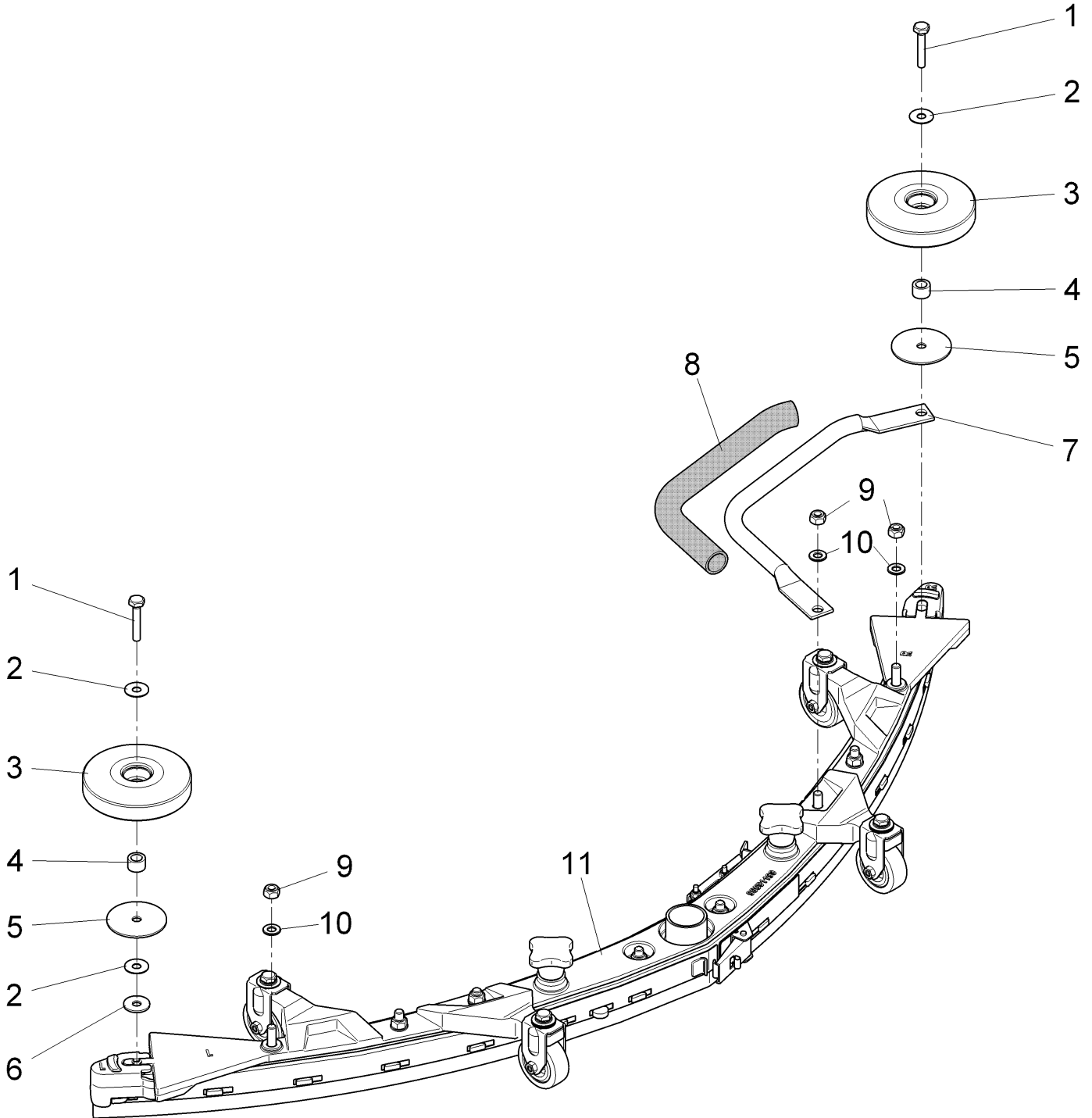
Squeegee lock (97099931)



Squeegee lock (97099931)

Item	Part number	Description	Qty.	Remarks
1	00046280	Thrust washer	2	
2	00041400	Plain bearing bush	1	
3	01170630	Folding plate	1	
4	01170280	Cyl.compression spring	1	
5	01170270	Pin	1	
6	00053090	Hexagon screw	1	
7	00047990	Disk wheel	1	
8	01079670	Spacer sleeve	1	

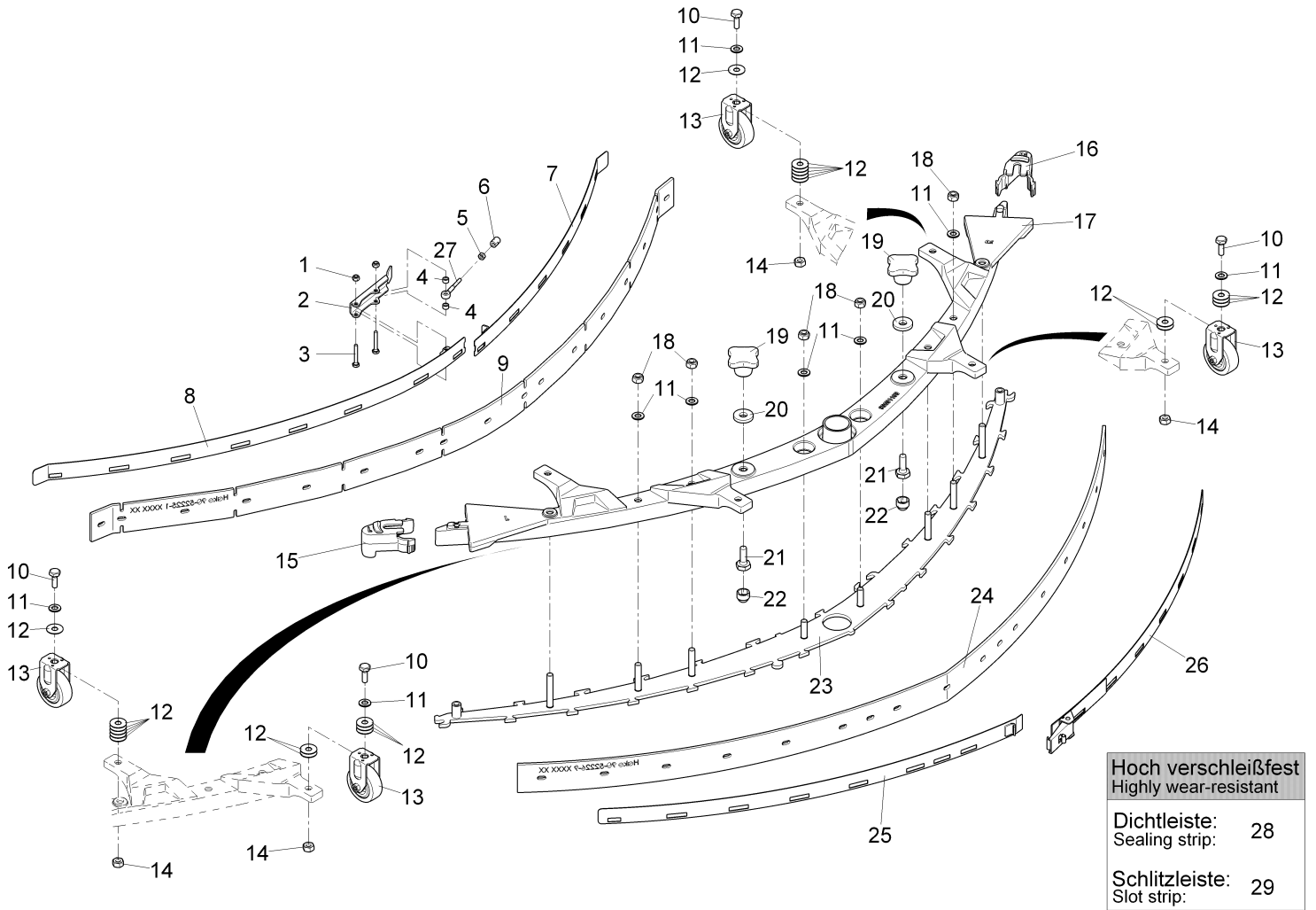
Squeegee 1100 mm cpl. (from appr. 4/2012) (97115596)



Squeegee 1100 mm cpl. (from appr. 4/2012) (97115596)

Item	Part number	Description	Qty.	Remarks
1	00059460	Hex.bolt	2	
2	01079080	Spacer	3	
3	01171790	Deflector roller	2	
4	00879030	Pipe	2	
5	01178290	Conical spring washer	2	
6	00902280	Washer	1	
7	XXXXXXXX	no part-No. til yet	1	90592023 Bracket
8	00911270	Hose	290 mm	
9	00101540	Hexagon nut	3	
10	00101550	Washer	3	
11	97099287	Squeegee 1100 mm	Page	45

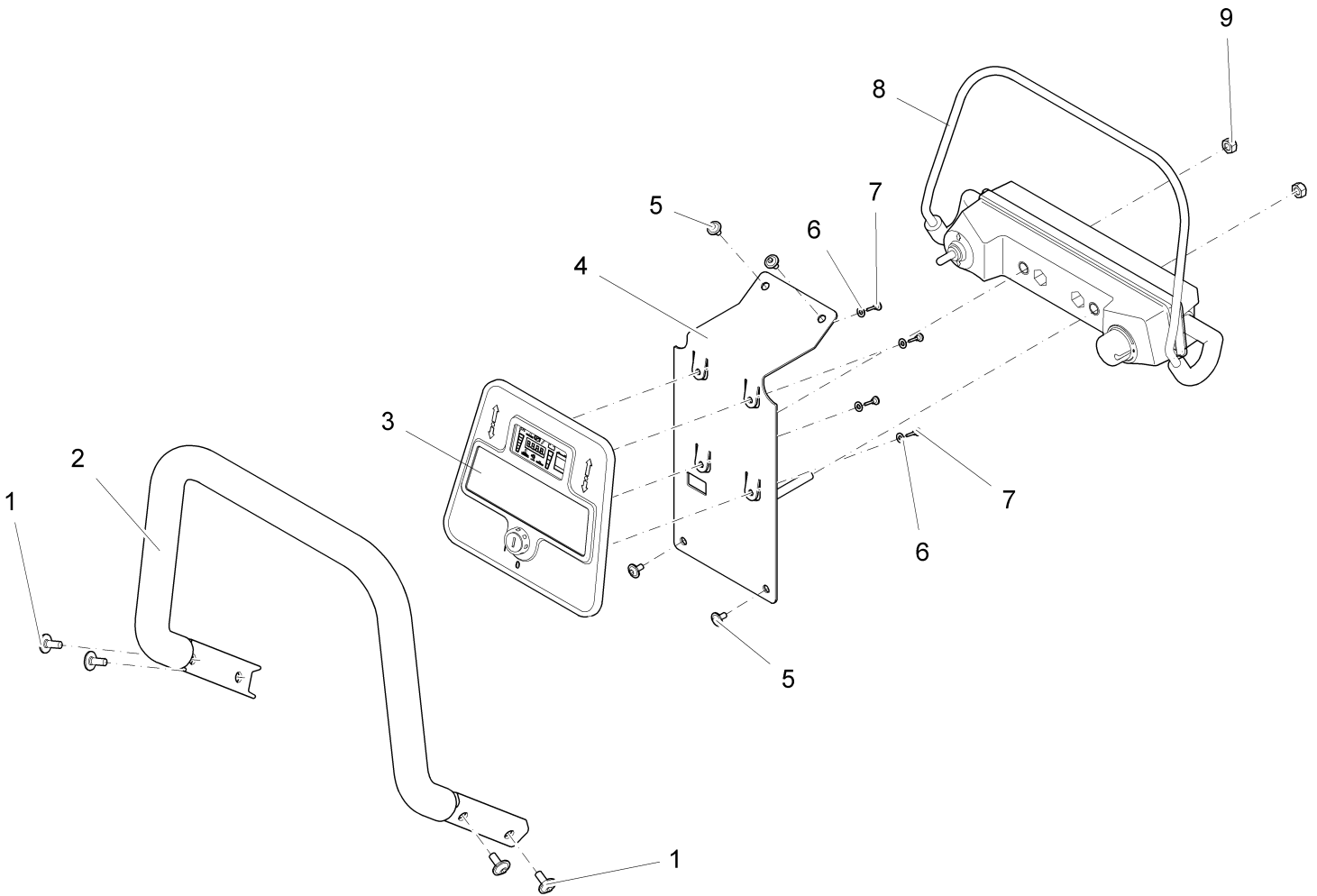
Squeegee 1100 mm (97099287)



Squeegee 1100 mm (97099287)

Item	Part number	Description	Qty.	Remarks
1	01017660	Hex. Nut	2	
2	01077580	Lever	1	
3	01079890	Hexagon screw	2	
4	01077590	Bushing	2	
5	00902250	Hex. Nut	1	
6	01078090	Pressure piece	1	
7	01079870	Front tension band	1	
8	01079880	Front tension band	1	
9	01079790	Slot strip	1	
10	01162510	Hexagon screw	4	
11	00101550	Washer	10	
12	01079080	Spacer	22	
13	01077810	Fixed castor	4	
14	00971400	Hexagon nut	4	
15	01178320	Protection cap L.H.	1	
16	01178310	Protection cap R.H.	1	
17	XXXXXXXX	no part-No. til yet	1	90591199 Squeegee body
18	00101540	Hexagon nut	5	
19	01179360	Star handle yellow	2	
20	00972060	Disk wheel	2	
21	01019850	Hexagon screw	2	
22	00131610	Lens cap	2	
23	XXXXXXXX	no part-No. til yet		96131339 Base plate
24	01079780	Sealing strip	1	
25	01079920	Rear tension band	1	
26	01079910	Rear tension band	1	
27	01077500	Eye bolt	1	
28	01179200	Sealing strip	1	
29	01179190	Slot strip	1	

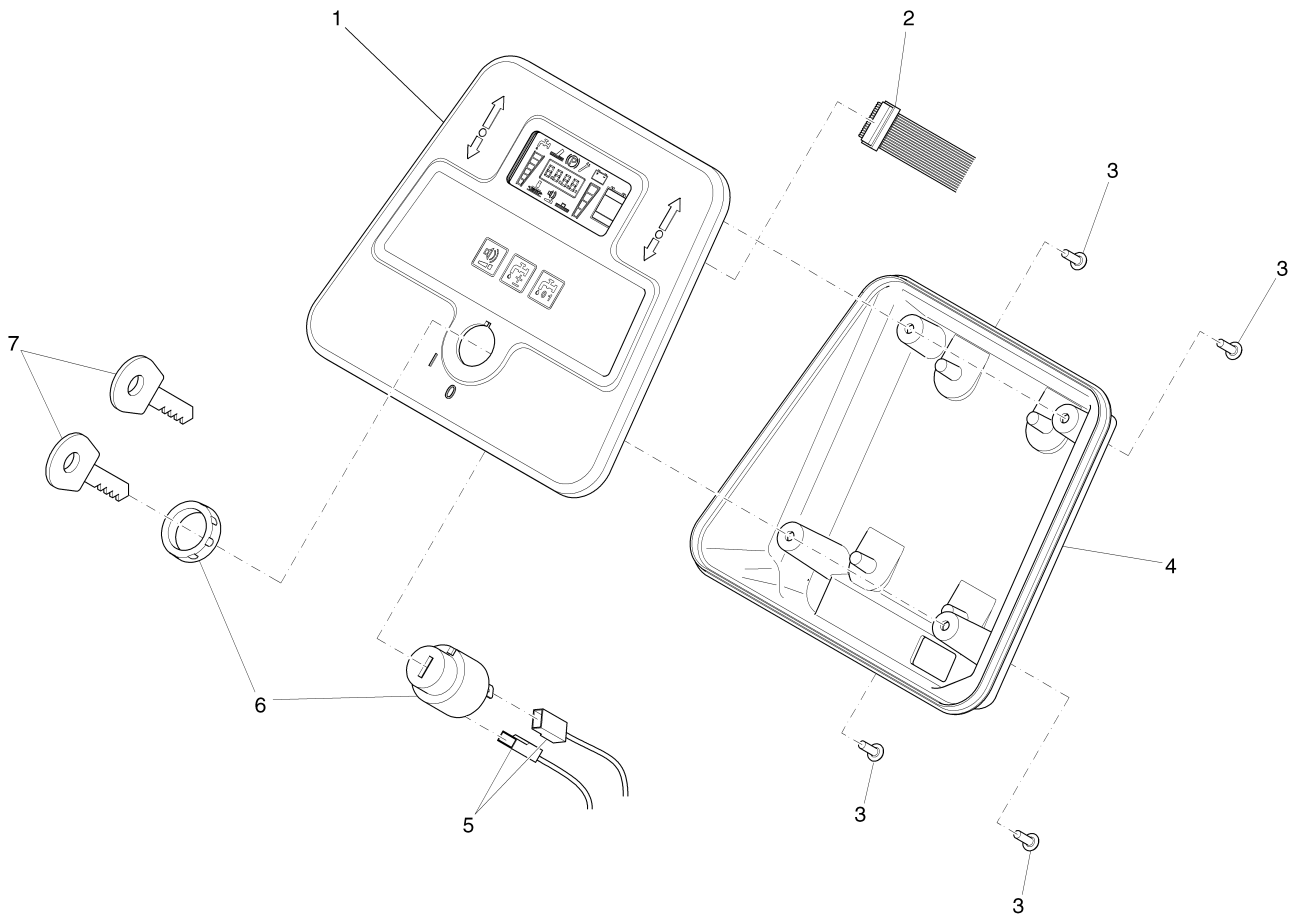
Operation handle (97096523)



Operation handle (97096523)

Item	Part number	Description	Qty.	Remarks
1	01171380	Lens flange screw	4	
2	01079760	Handle bar	1	
3	97091839	Console cpl.	Page	49
4	01079770	Sheet metal	1	
5	01072520	Lens flange screw	4	
6	00874720	Washer	4	
7	00961490	Self tapping screw	4	
8	01079950	Bail system	1	
9	00051510	Hexagon nut	2	

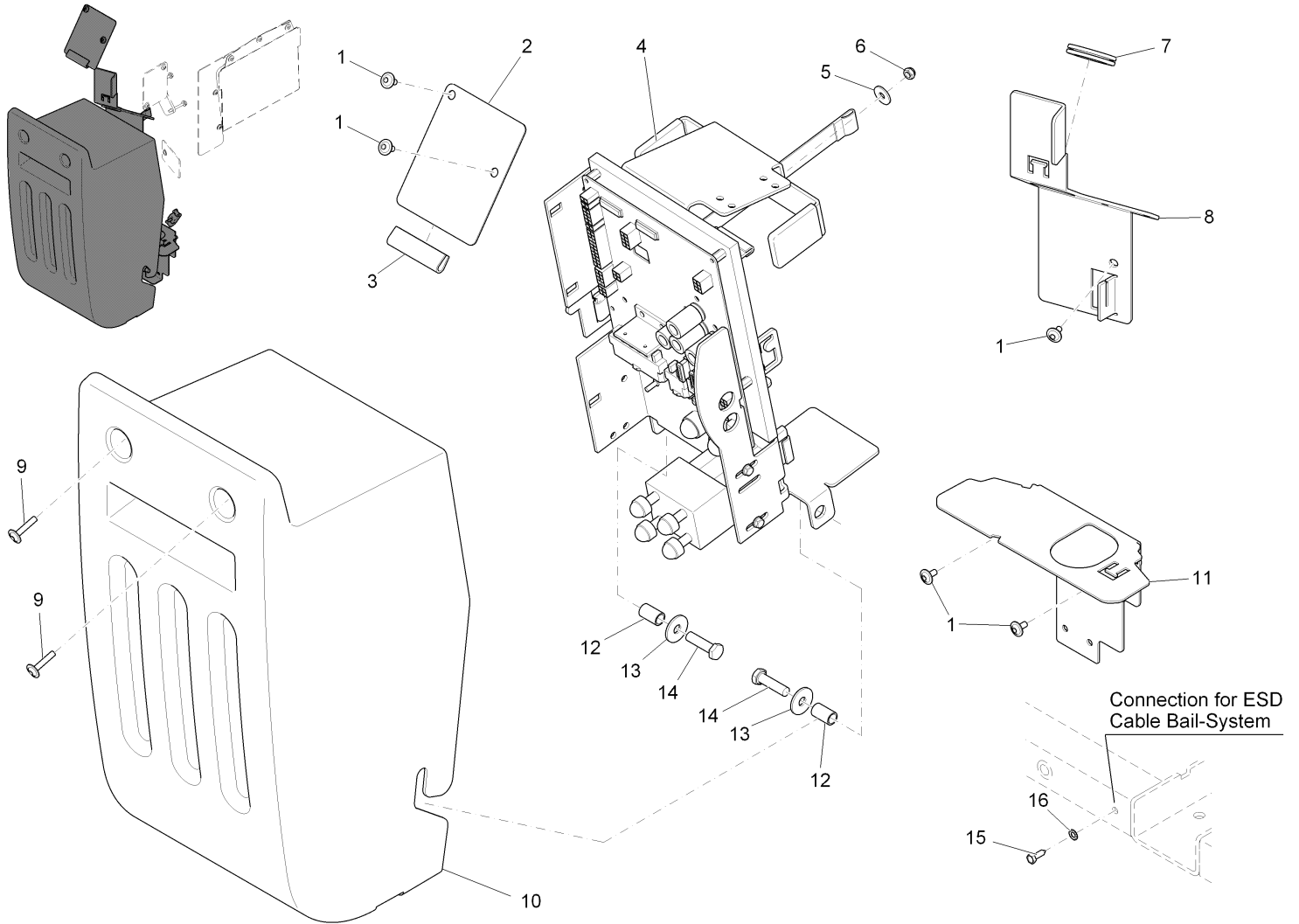
Console cpl. (97091839)



Console cpl. (97091839)

Item	Part number	Description	Qty.	Remarks
1	01079090	Console B70/B90	1	
2	01078930	Ribbon cable	1	
3	01078860	Screw	4	
4	01078940	Console	1	
5	01078950	Cable key switch	1	
6	00021710	Key switch	1	
7	00745890	Set (2pc.) key	1	

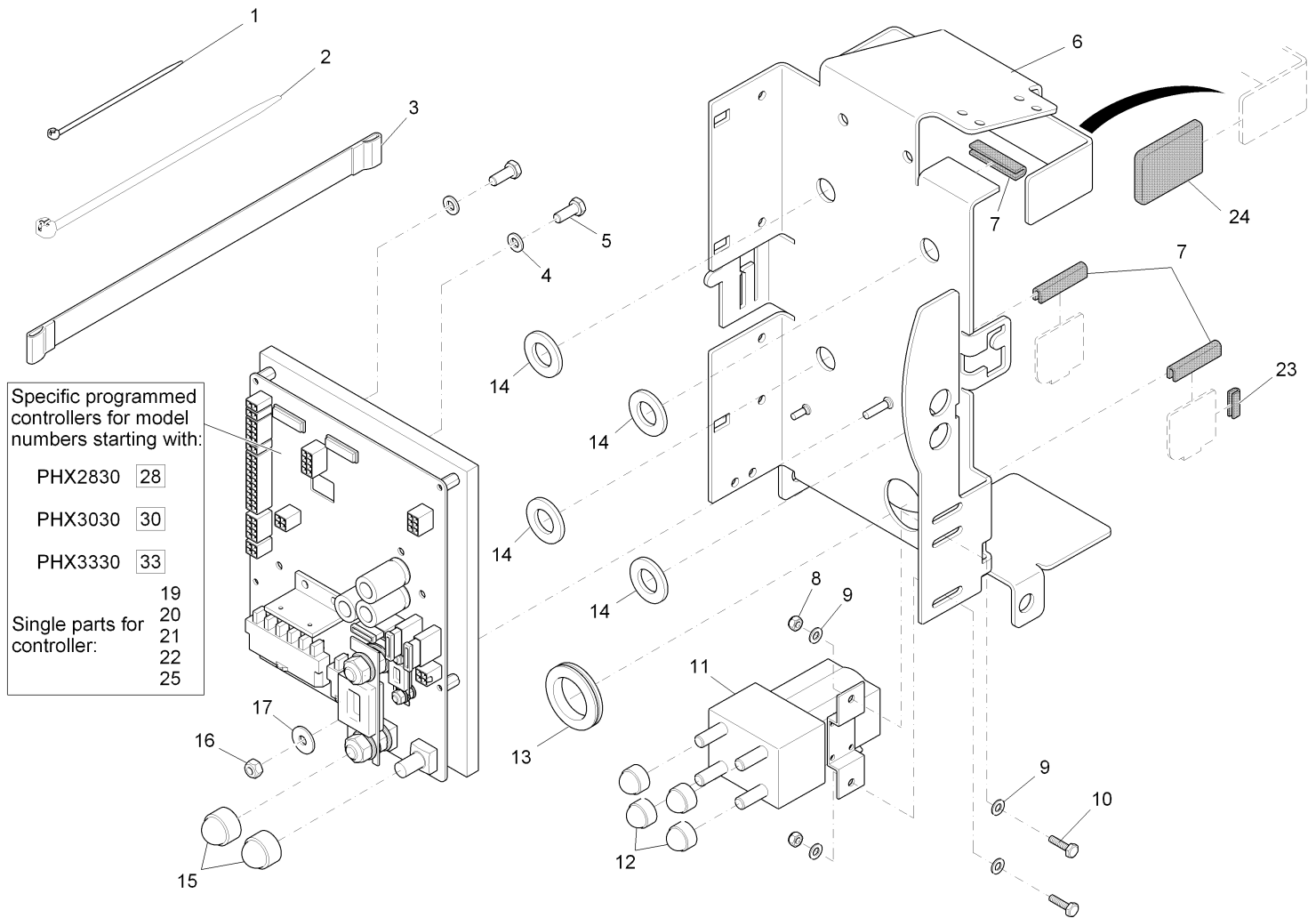
Electric part 1 (97101968-1)



Electric part 1 (97101968-1)

Item	Part number	Description	Qty.	Remarks
1	01072520	Lens flange screw	5	
2	01078570	Sheet metal	1	
3	00161240	Edge protection	60mm	
4	97102503	Retainer cpl.	Page	53
5	00153200	Washer	1	
6	00051520	Hexagon nut	1	
7	01079690	Bushing	1	
8	01078580	Sheet metal	1	
9	01174700	Lens flange screw	2	
10	01078270	Covering	1	
11	01078590	Clamping plate	1	
12	01078260	Bushing	2	
13	00042900	Washer	2	
14	00053110	Hexagon screw	2	
15	01073850	Tapping screw	1	
16	00857150	Lock washer	1	

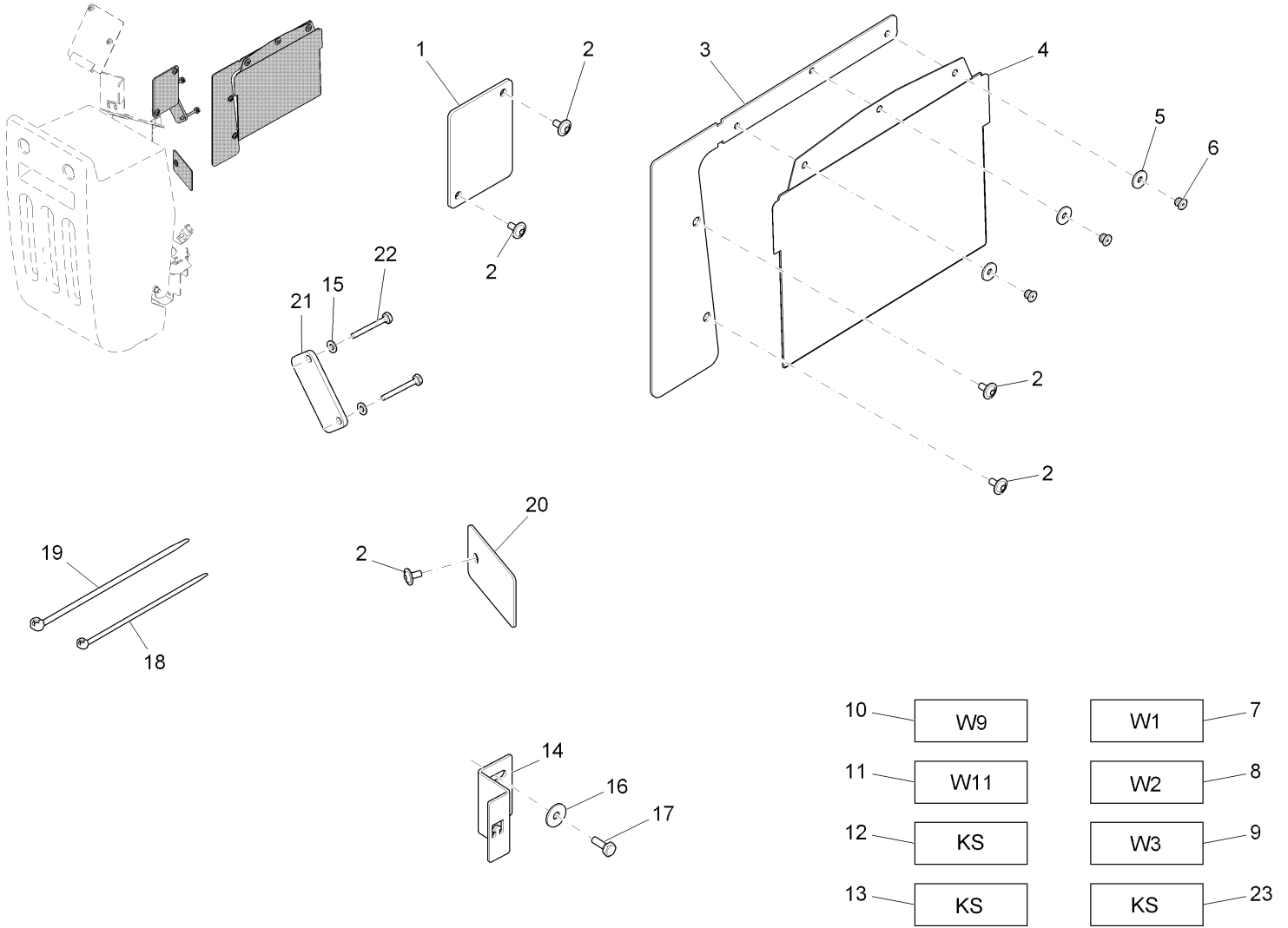
Retainer cpl. (97102503 7311-43)



Retainer cpl. (97102503 7311-43)

Item	Part number	Description	Qty.	Unit	Remarks
1	00967760	Cable tie	4		
2	00121150	Cable tie	8		
3	01077880	Webbing	1		
4	00053730	Washer	2		
5	00053010	Hex.bolt	2		
6	01078640	Retainer	1		
7	00721090	Edge protection	120mm	M	
8	00051340	Hex. Nut	2		
9	00053720	Washer	4		
10	00054410	Hex.bolt	2		
11	01170460	Contactactor	1		
12	00131610	Lens cap	4		
13	01079690	Bushing	1		
14	01078240	Washer	4		
15	00747210	Lens cap	2		
16	00051520	Hex. Nut	1		
17	00135120	Washer	1		
19	00059580	Fuse	1		
20	00902440	Fuse	1		
21	00733630	Fuse	1		
22	00972430	Fuse link	1		
23	00721090	Edge protection	30mm	M	
24	01074240	Cap	2		
25	00906120	Fuse	1		
28	01171100-2830	Controller HIGH 8-fet BAIL for 28"	1	PC	Programmed specifically for model numbers starting with PHX2830
30	01171100-3030	Controller HIGH 8-fet BAIL for 30"	1	PC	Programmed specifically for model numbers starting with PHX3030
33	01171100-3330	Controller HIGH 8-fet BAIL for 33"	1	PC	Programmed specifically for model numbers starting with PHX3330

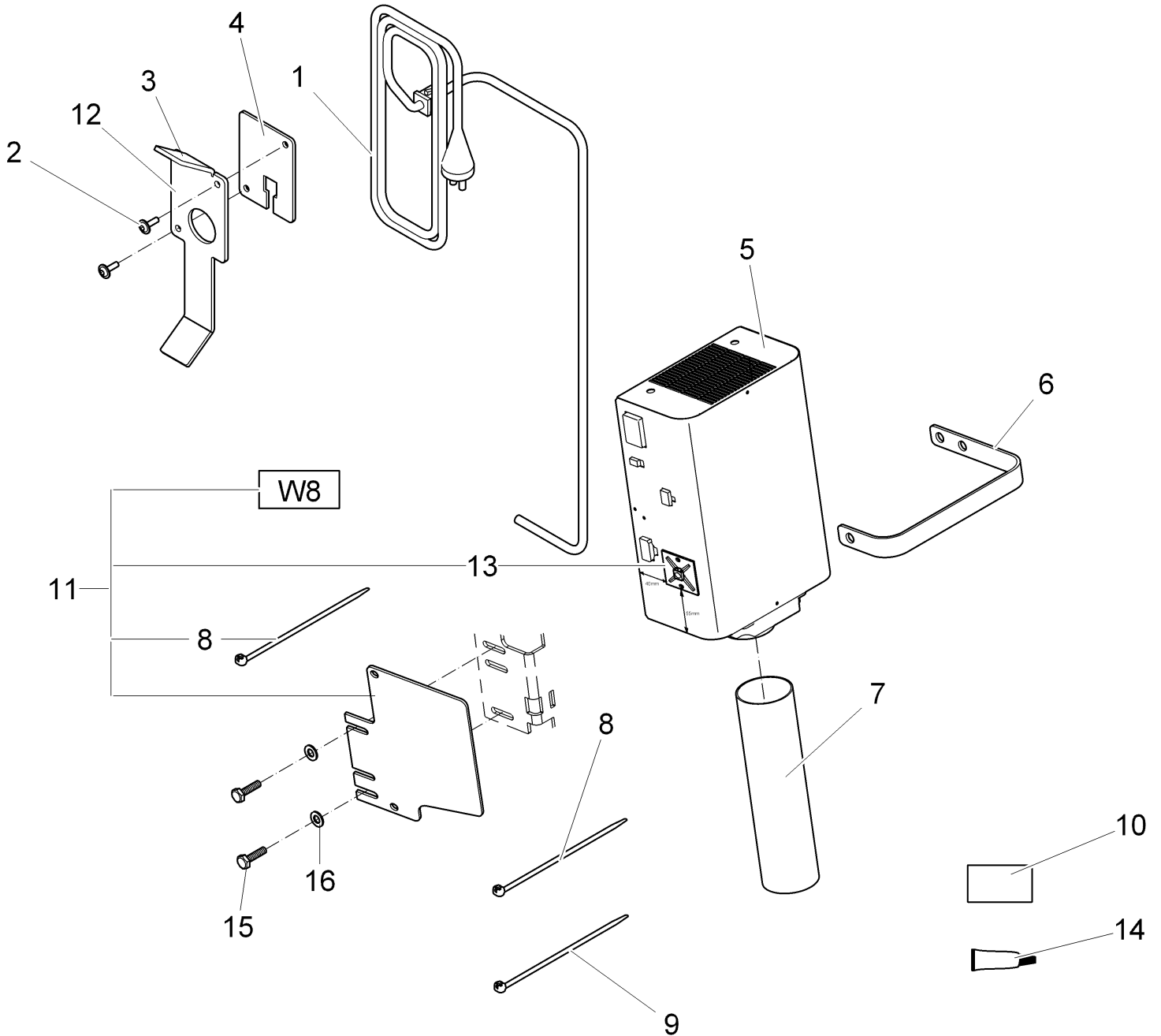
Electric part 2 (97101968-2)



Electric part 2 (97101968-2)

Item	Part number	Description	Qty.	Remarks
1	01078600	Covering	1	
2	01072520	Lens flange screw	7	
3	01078610	Sheet metal	1	
4	01078280	Bag	1	
5	00555520	Washer	3	
6	01078290	Blind rivet	3	
7	03008120	Wiring harness W1	1	
8	03008130	Wiring harness W2	1	
9	03008200	Wiring harness W3	1	
10	03008590	Wiring harness W9	1	
11	03008160	Wiring harness W11	1	
12	03008170	Cable loom	1	
13	03008180	Cable loom	1	
14	01170450	Clamping plate	1	
15	00053730	Washer	2	
16	00042900	Washer	1	
17	00053090	Hexagon screw	1	
18	00121150	Cable tie	10	
19	00967760	Cable tie	2	
20	01078630	Sheet metal	1	
21	01170500	Distance plate	1	
22	00535110	Hex.bolt	2	
23	03007780	Cable loom	1	

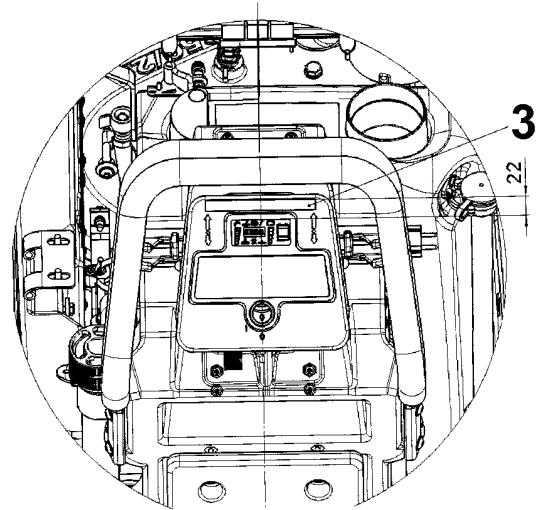
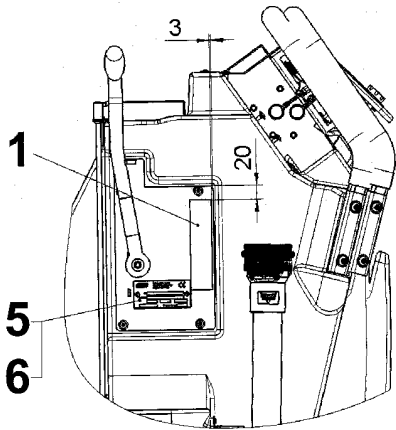
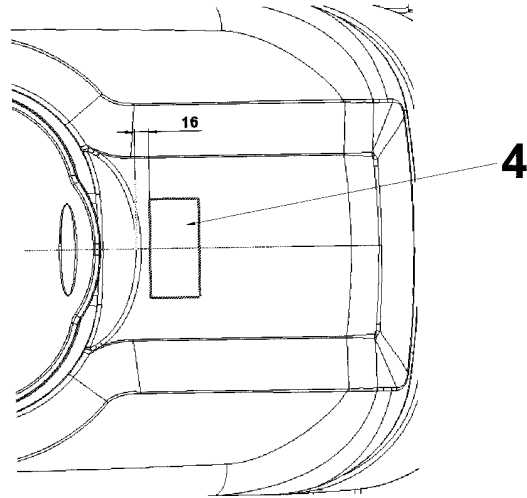
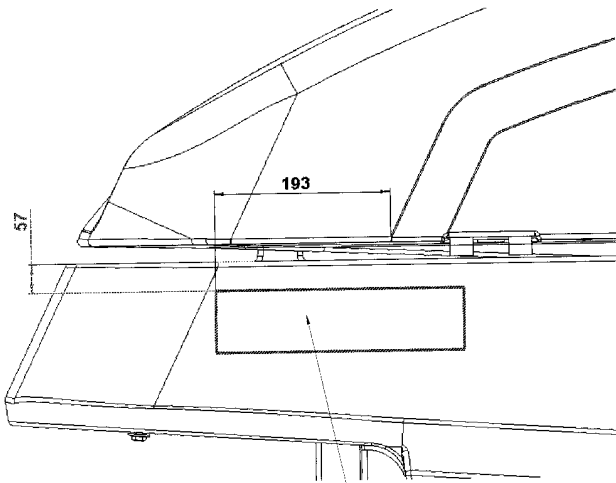
Battery charger 24V 22A (97099436)



Battery charger 24V 22A (97099436)

Item	Part number	Description	Qty.	Remarks
1	01079380	Power cable	1	
2	01017640	Lens flange screw	2	
3	01074240	Cap	2	To stick on pos.12 with Loctite!
4	01079360	Covering	1	
5	01079370	On-board charger 24V 22A 120V	1	
6	01077870	Tension band	1	
7	01078320	Hose	3	
8	00121150	Cable tie	8	
9	00967760	Cable tie	1	
10	03006770	Wire harness W6	1	
11	01172530	Retool kit BATTERY CHARGER 30A	1	
12	01079390	Cable retainer	1	
13	01178010	Attachment base	1	
14	03009180	Grease	1	
15	00054410	Hex.bolt	1	
16	00053720	Washer	1	

Labels (97121412)



Labels (97121412)

Item	Part number	Description	Qty.	Remarks
1	01170740	Decal	1	
2	03008490	Decal PHOENIX 28	2	
3	03008500	Decal PHOENIX SERIES	1	
4	03008510	Decal POWER BOSS	1	
5	03008410	Type plate POWERBOSS	1	
6	00504370	Blind rivet	2	
7	03008520	Decal PHOENIX 30	2	
8	XXXXXXXX	no part-No. til yet	2	17205877 Decal PHOENIX 33

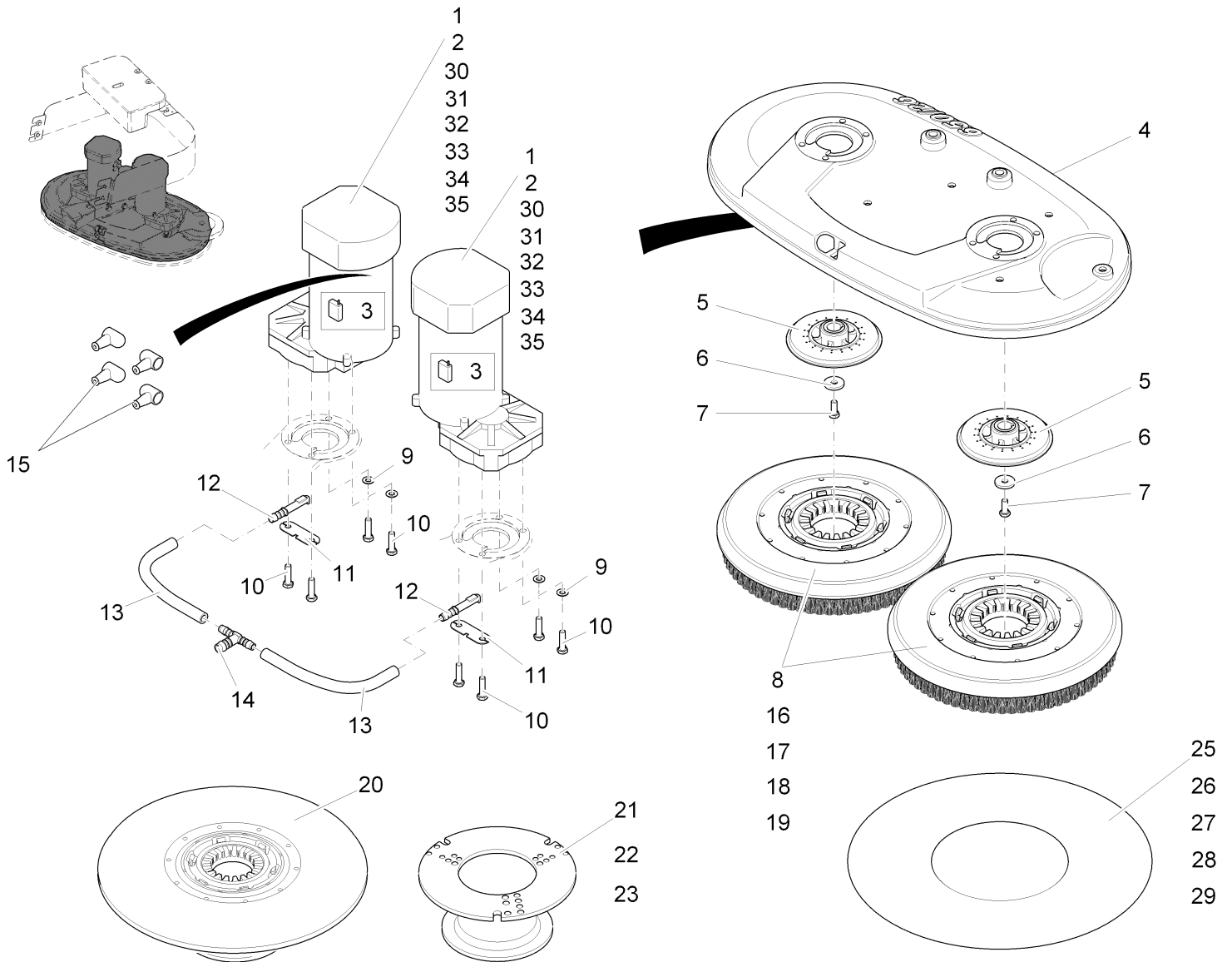
Optional brush decks (Opt 7311-43-44)

Assembly	Description	Page
99710900	Disk brush head 65cm	62
99701800	Disk brush head 75cm	71
99702400	Disk brush head 85cm	80
99757602	Cylindrical brush drive head 60cm	89
99703600	Cylindrical brush drive head 70cm	103

Disk brush head 65cm (7109.00)

Assembly	Description	Page
97099196-1	Brush head DB65 part 1	63
97099196-2	Brush head DB650 part 2	67
97099196-3	Brush head DB650 part 3	69

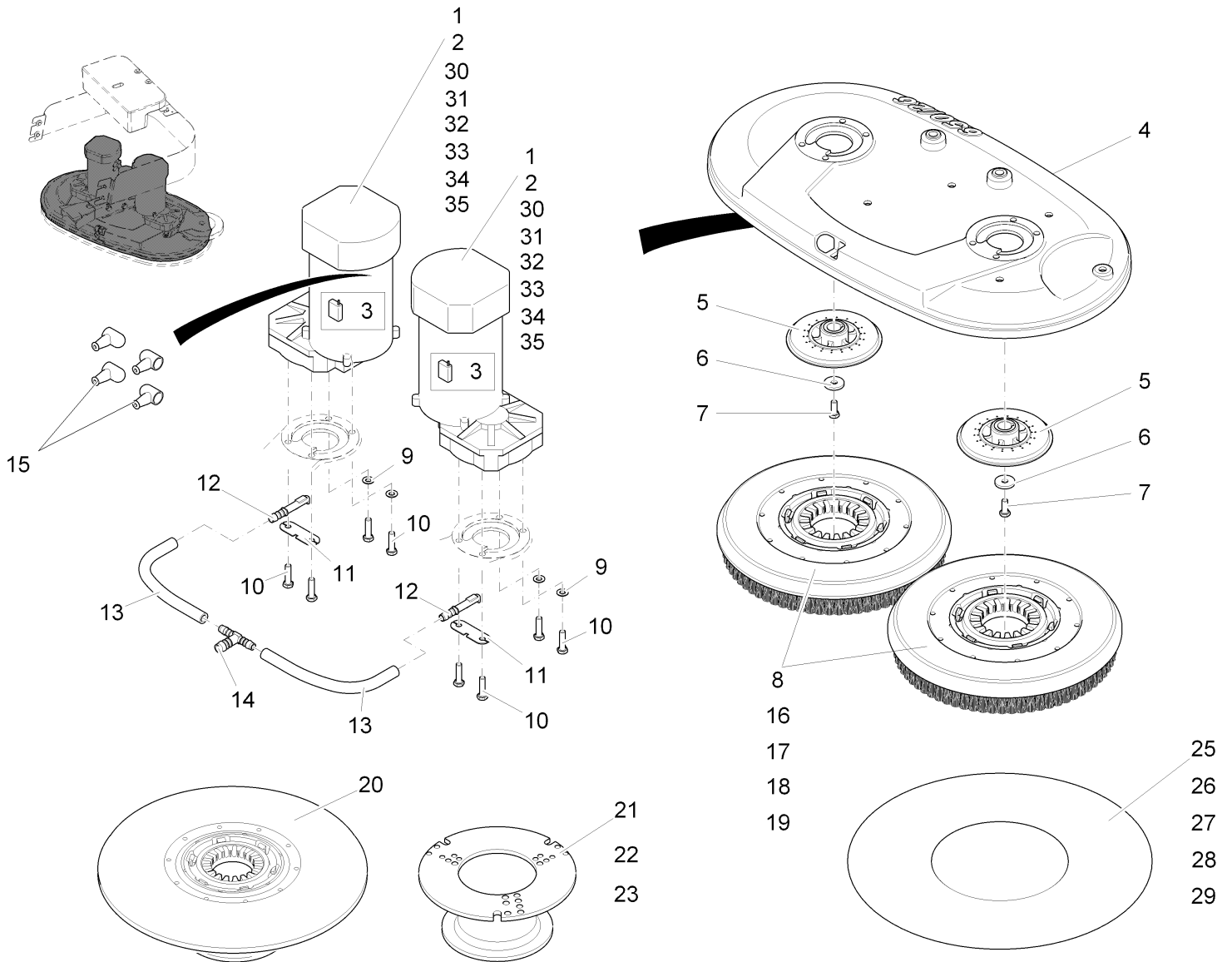
Brush head DB65 part 1 (97099196-1)



Brush head DB65 part 1 (97099196-1)

Item	Part number	Description	Qty.	Remarks
1	01077180	Motor	2	
2	01077230	Fitting key	2	
3	01077240	Set (4pc.) Carbon brush	1	
4	03008050	Housing	1	
5	00512400	Carrier	2	
6	00879170	Washer	2	
7	00053090	Hexagon screw	2	
8	99751300	Brush 330 PPN 0,5	2	Degree of soiling light to medium, bristling PPN0,5 plastic material
9	00053750	Washer	4	
10	00053110	Hexagon screw	8	
11	01077750	Sheet metal	2	
12	01078330	Spray tube	2	
13	00180190	Hose	460mm	
14	00901310	T-reducer muff	1	
15	01078070	Protection cap	4	
16	99751500	Brush 330 PPN 0,8	2	Degree of soiling medium to heavy, bristling PPN0,8 plastic material
17	99751700	Brush 330 K 901	2	Degree of soiling light to medium, structured flooring, bristling mixed plastic material K 901
18	99751900	Brush 330 SI-enforced PA 1,0	2	Very heavy soiling and basic cleaning, bristling SIC PA 6 grain 180 gray
19	99752100	Brush 330 SIC 6,12	2	Extremely heavy soiling and basic cleaning, bristling SIC PA 6.12 grain 120 green
20	99752300	Pad holder	1	
21	00681500	Center-lock, lower part	1	
22	00961490	Self tapping screw	3	
23	00681490	Center-lock, upper part	1	
25	99752505	Carton pad red 13" (5pcs)	1	Light soiling, red
26	99787105	Carton pad green 13" (5pcs)	1	Medium soiling and maintenance cleaning, green
27	99752705	Carton pad brown 13" (5pcs)	1	Maintenance cleaning, brown
28	99752905	Carton pad black 13" (5pcs)	1	Basic cleaning and heavy soiling, black
29	99708502	Micro-fibre pad 13"	2	
30	01077250	Spring	1	
31	01077210	Gear	1	

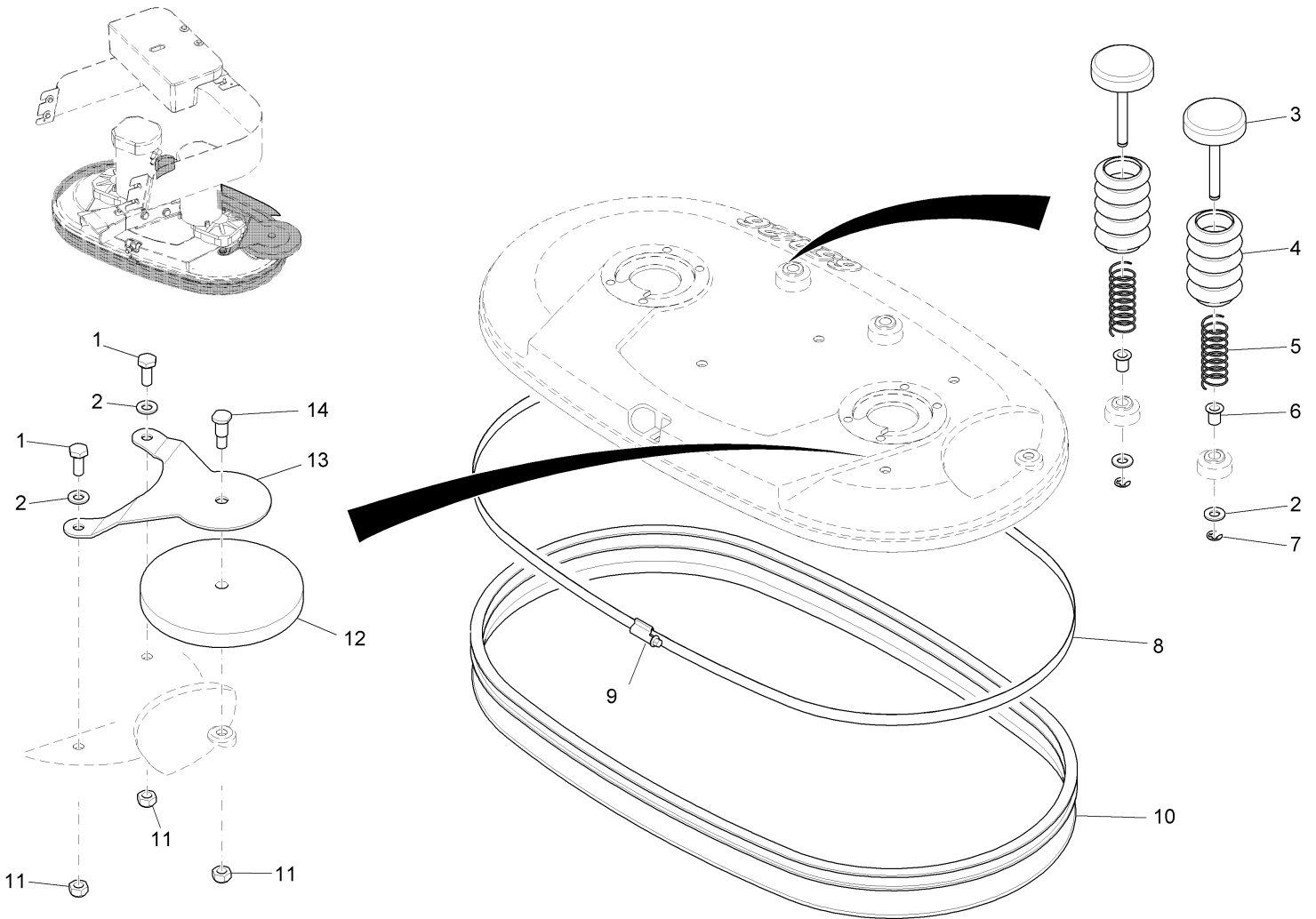
Brush head DB65 part 1 (97099196-1)



Brush head DB65 part 1 (97099196-1)

Item	Part number	Description	Qty.	Remarks
32	01077220	Circlip	1	
33	01178440	Covering	1	
34	01178450	Covering	1	
35	01178460	Bolt	1	

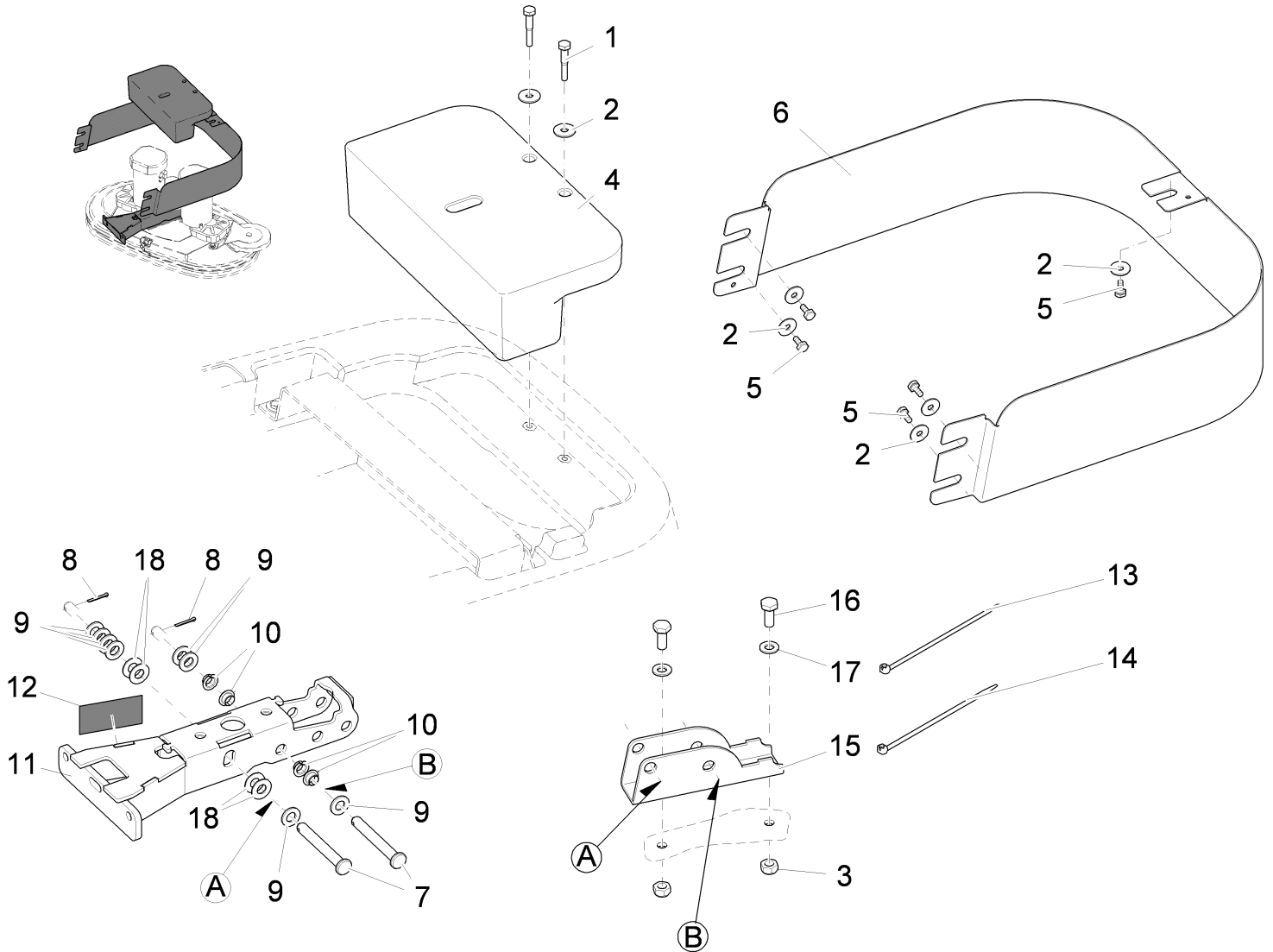
Brush head DB650 part 2 (97099196-2)



Brush head DB650 part 2 (97099196-2)

Item	Part number	Description	Qty.	Remarks
1	00053310	Hexagon screw	2	
2	00053760	Washer	4	
3	01078000	Ejector	2	
4	01078350	Bellow	2	
5	01078340	Compression spring	2	
6	01078360	Slide bearing bush	2	
7	00046280	Thrust washer	2	
8	00712300	Tension band	1840mm	
9	00901390	Tension band lock	1	
10	01077490	Sealing strip	1	
11	00051500	Hexagon nut	3	
12	01078060	Deflector roller	1	
13	01077560	Retainer	1	
14	01077570	Screw	1	

Brush head DB650 part 3 (97099196-3)



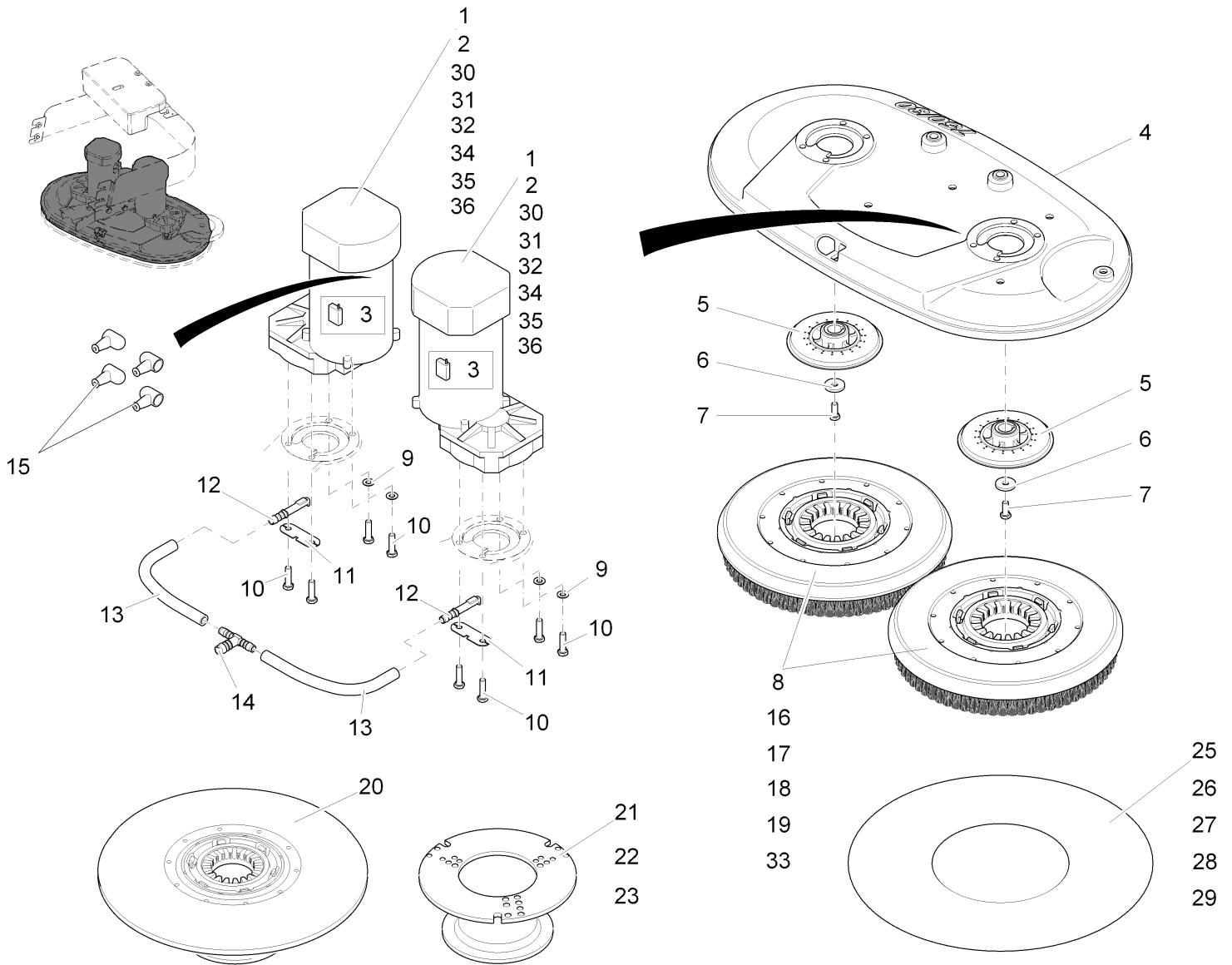
Brush head DB650 part 3 (97099196-3)

Item	Part number	Description	Qty.	Remarks
1	00053120	Hexagon screw	2	
2	00042900	Washer	7	
3	00051500	Hexagon nut	2	
4	03008090	Weight	1	
5	00053080	Hexagon screw	5	
6	01170210	Covering	1	
7	01078040	Bolt	2	
8	00054870	Cotter pin	2	
9	00053770	Washer	8	
10	01171330	Slide bearing bush	4	
11	01171350	Rocker	1	
12	03008790	Backing film	1	
13	00121150	Cable tie	3	
14	00967760	Cable tie	2	
15	01171390	Retainer	1	
16	00053310	Hexagon screw	2	
17	00053760	Washer	2	
18	01102770	Approach disk	4	

Disk brush head 75cm (7018.00)

Assembly	Description	Page
97099188-1	Brush head DB750 part 1	72
97099188-2	Brush head DB750 part 2	76
97099188-3	Brush head DB750 part 3	78

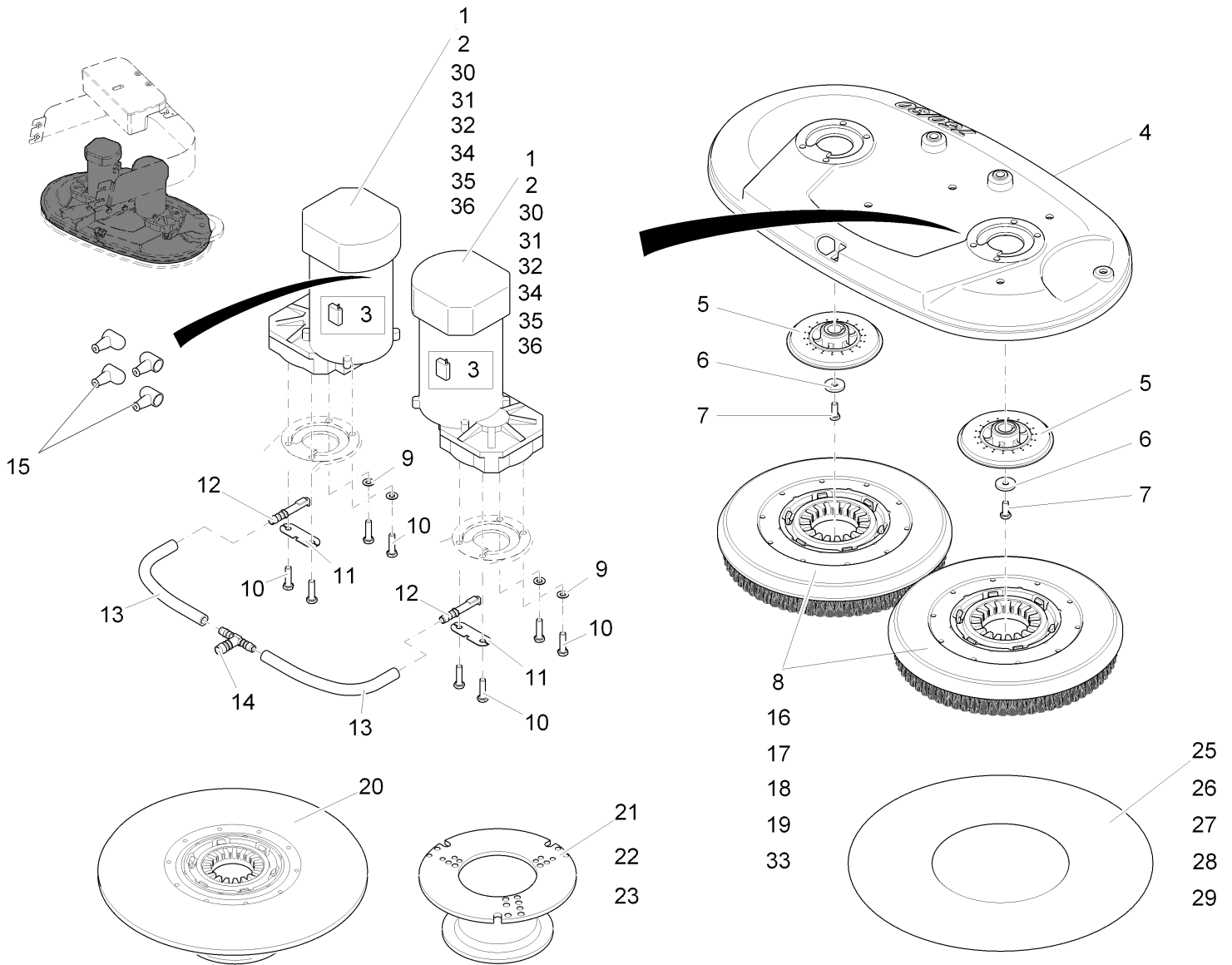
Brush head DB750 part 1 (97099188-1)



Brush head DB750 part 1 (97099188-1)

Item	Part number	Description	Qty.	Remarks
1	01077180	Motor	2	
2	01077230	Fitting key	2	
3	01077240	Set (4pc.) Carbon brush	1	
4	03008030	Housing	1	
5	00512400	Carrier	2	
6	00879170	Washer	2	
7	00053090	Hexagon screw	2	
8	99751400	Brush 380 PPN 0,5	2	Degree of soiling light to medium, bristling PPN0,5 plastic material
9	00101550	Washer	4	
10	00053110	Hexagon screw	8	
11	01077750	Sheet metal	2	
12	01078330	Spray tube	2	
13	00180190	Hose	540mm	
14	00901310	T-reducer muff	1	
15	01078070	Protection cap	4	
16	99751800	Brush 380 K 901	2	Degree of soiling light to medium, structured flooring, bristling mixed plastic material K 901
17	99751600	Brush D = 380 PPN 0,8	2	Degree of soiling medium to heavy, bristling PPN0,8 plastic material
18	99730800	Plate brush 380 SiC 6.12	2	Degree of soiling medium to heavy, SIC PA 6 Corn 600 grey
19	99784300	Plate brush 430 SIC PA 6.1 K180	2	Very heavy soiling and basic cleaning, bristling SIC PA 6 grain 180 gray
20	99752400	Pad holder	1	
21	00681500	Center-lock, lower part	1	
22	00961490	Self tapping screw	3	
23	00681490	Center-lock, upper part	1	
25	99752605	Carton pad red 15" (5pcs)	1	Light soiling, red
26	99787205	Carton pad green 15" (5pcs)	1	Medium soiling and maintenance cleaning, green
27	99752805	Carton pad brown 15" (5pcs)	1	Maintenance cleaning, brown
28	99753005	Carton pad black 15" (5pcs)	1	Basic cleaning and heavy soiling, black
29	99708602	Micro-fibre pad 15"	2	
30	01077250	Spring	1	
31	01077210	Gear	1	
32	01077220	Circlip	1	

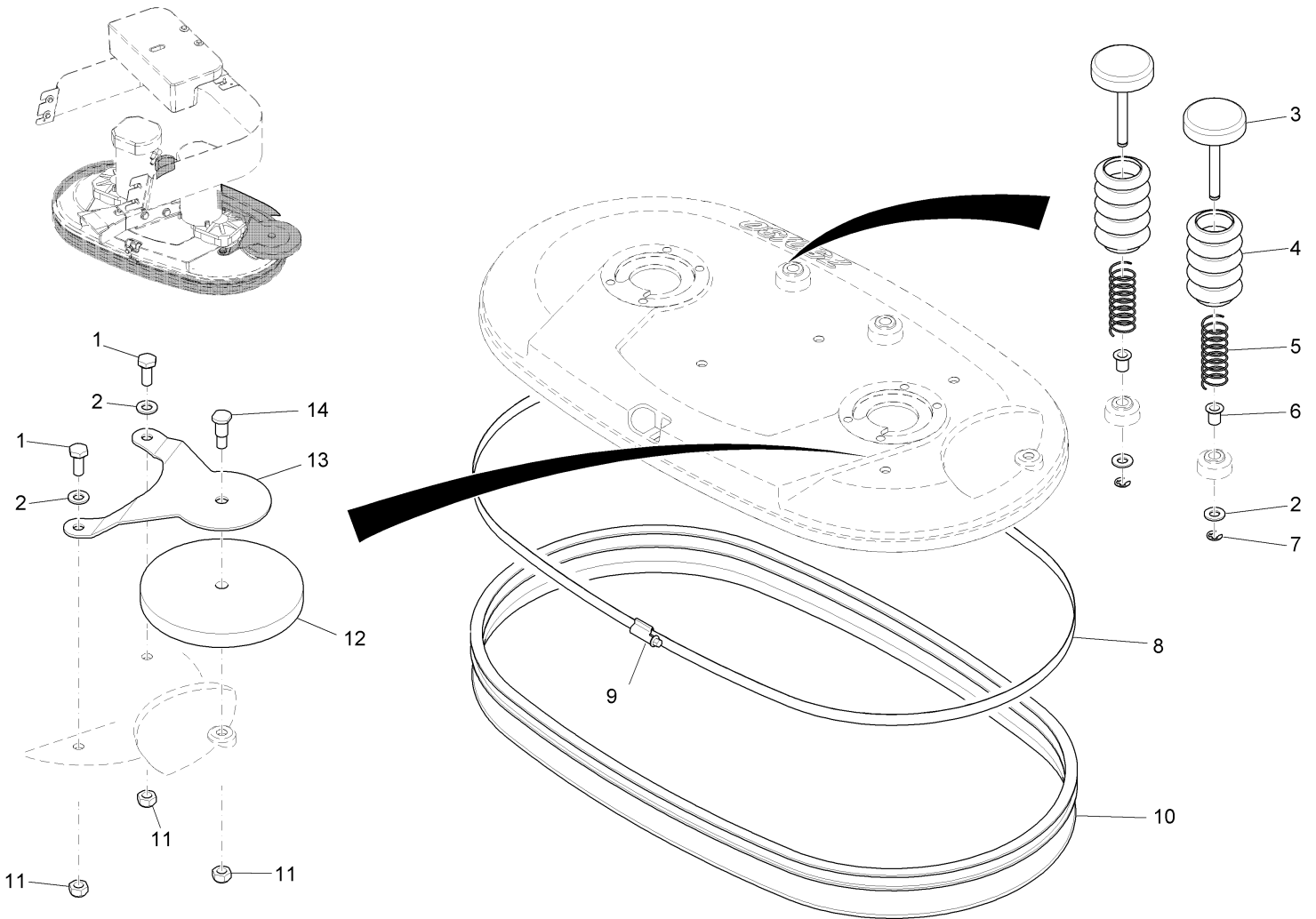
Brush head DB750 part 1 (97099188-1)



Brush head DB750 part 1 (97099188-1)

Item	Part number	Description	Qty.	Remarks
33	99784500	Plate brush 430 SIC PA 6.1 K120	2	Extremely heavy soiling and basic cleaning, bristling SIC PA 6.12 grain 120 green
34	01178440	Covering	1	
35	01178450	Covering	1	
36	01178460	Bolt	1	

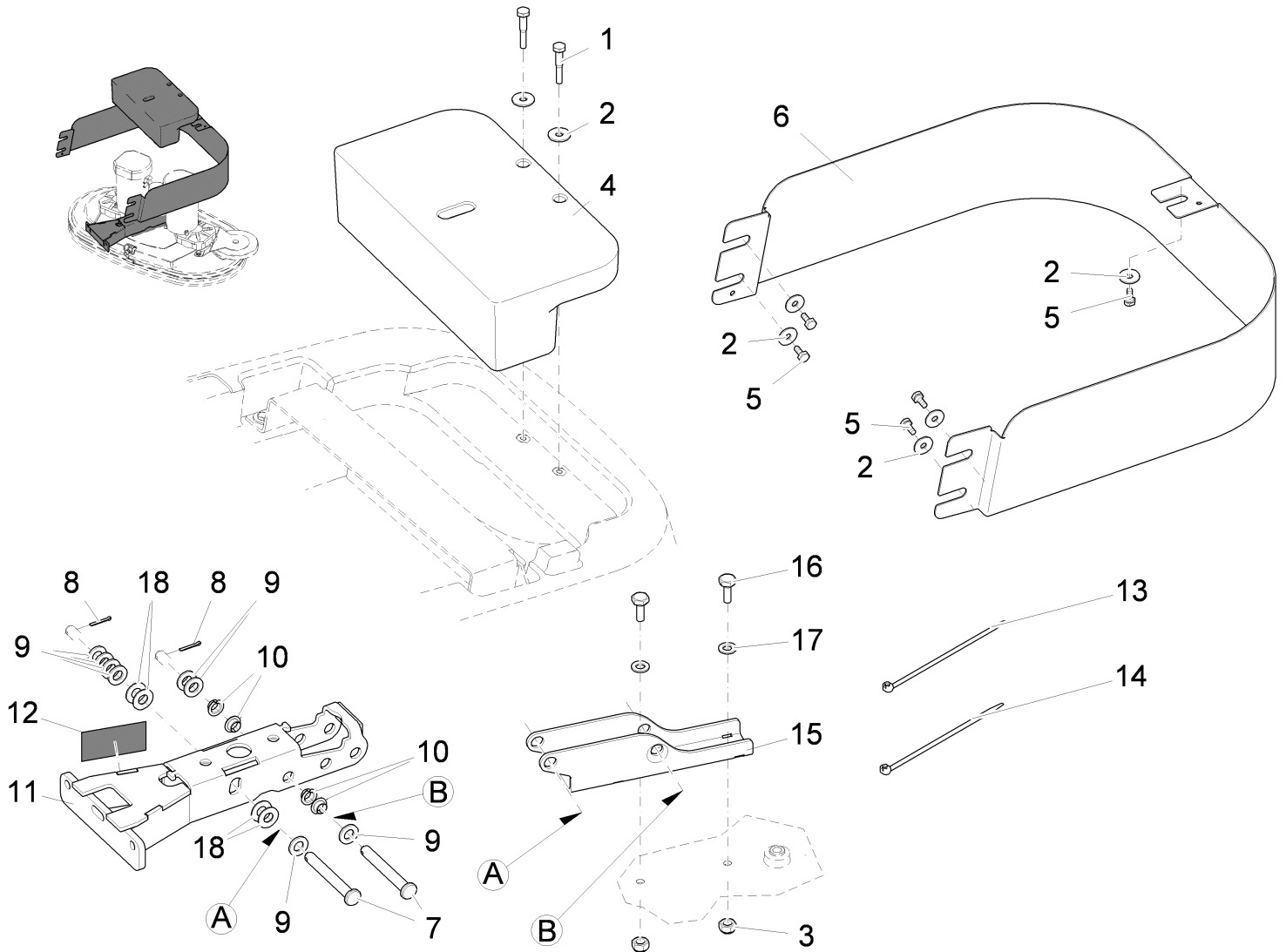
Brush head DB750 part 2 (97099188-2)



Brush head DB750 part 2 (97099188-2)

Item	Part number	Description	Qty.	Remarks
1	00053310	Hexagon screw	2	
2	00053760	Washer	2	
3	01078000	Ejector	2	
4	01078350	Bellow	2	
5	01078340	Compression spring	2	
6	01078360	Slide bearing bush	2	
7	00046280	Thrust washer	2	
8	00712300	Tension band	2180 mm	
9	00901390	Tension band lock	1	
10	01079960	Sealing strip	1	
11	00051500	Hexagon nut	3	
12	01170190	Deflector roller	1	
13	01170180	Retainer	1	
14	01077570	Screw	1	

Brush head DB750 part 3 (97099188-3)



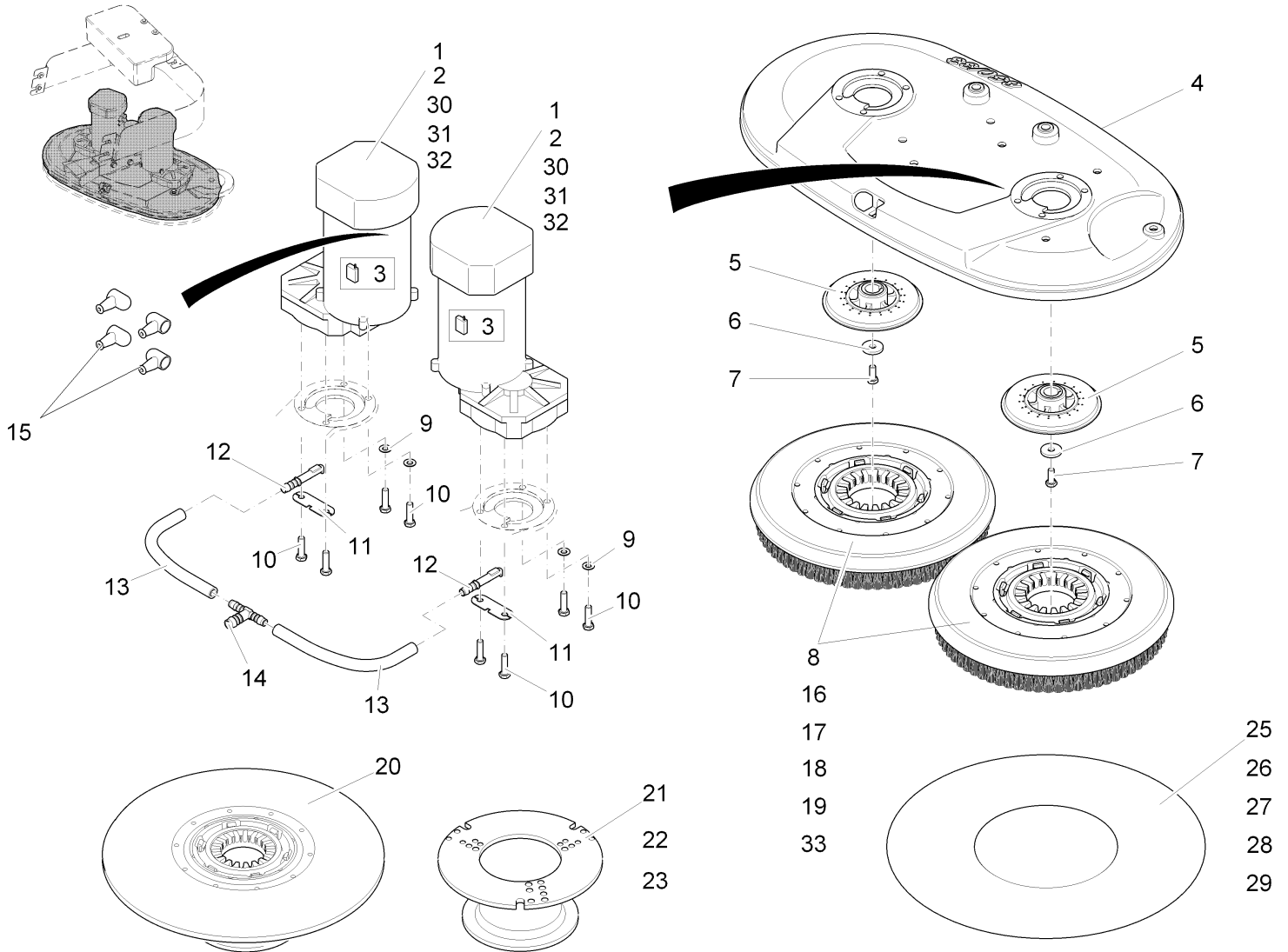
Brush head DB750 part 3 (97099188-3)

Item	Part number	Description	Qty.	Remarks
1	00053120	Hexagon screw	2	
2	00042900	Washer	7	
3	00051500	Hexagon nut	2	
4	03008090	Weight	1	
5	00053080	Hexagon screw	5	
6	01170210	Covering	1	
7	01078040	Bolt	2	
8	00054870	Cotter pin	2	
9	00053770	Washer	4	
10	01171330	Slide bearing bush	4	
11	01171350	Rocker	1	
12	03008790	Backing film	1	
13	00121150	Cable tie	3	
14	00967760	Cable tie	2	
15	01170200	Retainer	1	
16	00053310	Hexagon screw	2	
17	00053760	Washer	2	
18	01102770	Approach disk	4	

Disk brush head 85cm (7024.00)

Assembly	Description	Page
97099212-1	Brush head DB33 part 1	81
97099212-2	Brush head DB33 part 2	85
97099212-3	Brush head DB33 part 3	87

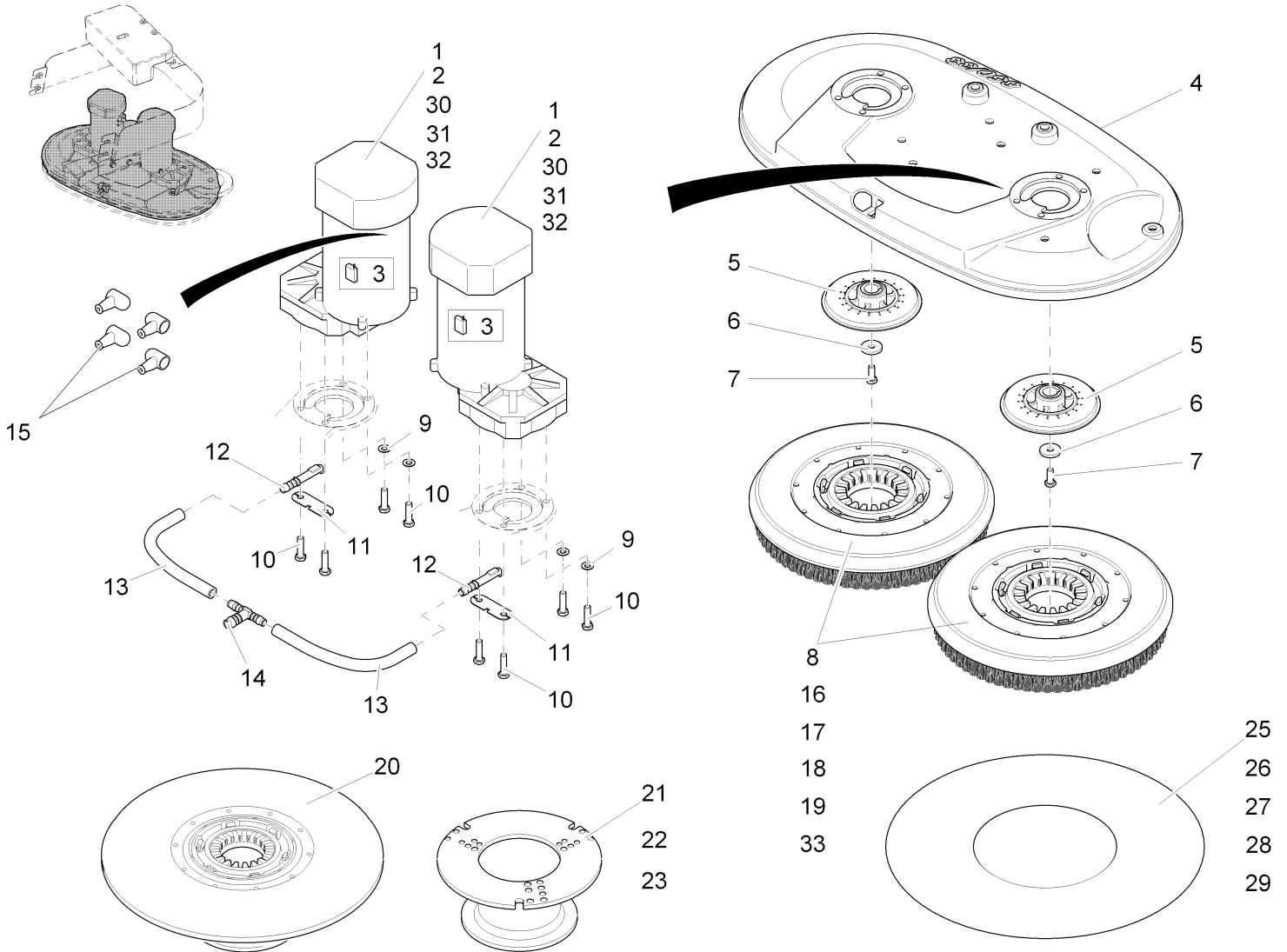
Brush head DB33 part 1 (97099212-1)



Brush head DB33 part 1 (97099212-1)

Item	Part number	Description	Qty.	Remarks
1	01170220	Motor SCOTT 700W	2	
2	01077230	Fitting key	2	
3	01077240	Set (4pc.) Carbon brush	1	
4	03008040	Housing	1	
5	00512400	Carrier	2	
6	00879170	Washer	2	
7	00053090	Hexagon screw	2	
8	99780600	Plate brush 430 PPN 0,5	2	Degree of soiling light to medium, bristling PPN0,5 plastic material
9	00101550	Washer	4	
10	00053110	Hexagon screw	8	
11	01077750	Sheet metal	2	
12	01078330	Spray tube	2	
13	00180190	Hose	660mm	
14	00901310	T-reducer muff	1	
15	01078070	Protection cap	4	
16	99781600	Plate brush 430 K901	2	Degree of soiling light to medium, structured flooring, bristling mixed plastic material K 901
17	99783600	Plate brush 430 PPN 0,8	2	Degree of soiling medium to heavy, bristling PPN0,8 plastic material
18	99782600	Plate brush 430 SIC PA 6.1 K600	2	Degree of soiling medium to heavy, SIC PA 6 Corn 600 grey
19	99784300	Plate brush 430 SIC PA 6.1 K180	2	Very heavy soiling and basic cleaning, bristling SIC PA 6 grain 180 gray
20	99785700	Pad holder with centre lock	1	
21	00681500	Center-lock, lower part	1	
22	00961490	Self tapping screw	3	
23	00681490	Center-lock, upper part	1	
25	99783805	Carton pad red 17" (5pcs)	1	Light soiling, red
26	99764705	Carton pad green 17" (5pcs)	1	Medium soiling and maintenance cleaning, green
27	99783705	Carton pad brown 17" (5pcs)	1	Maintenance cleaning, brown
28	99784005	Carton pad black 17" (5pcs)	1	Basic cleaning and heavy soiling, black
29	99785002	Micro-fibre pad 17"	1	
30	01077250	Spring	1	
31	01077210	Gear	1	
32	01077220	Circlip	1	

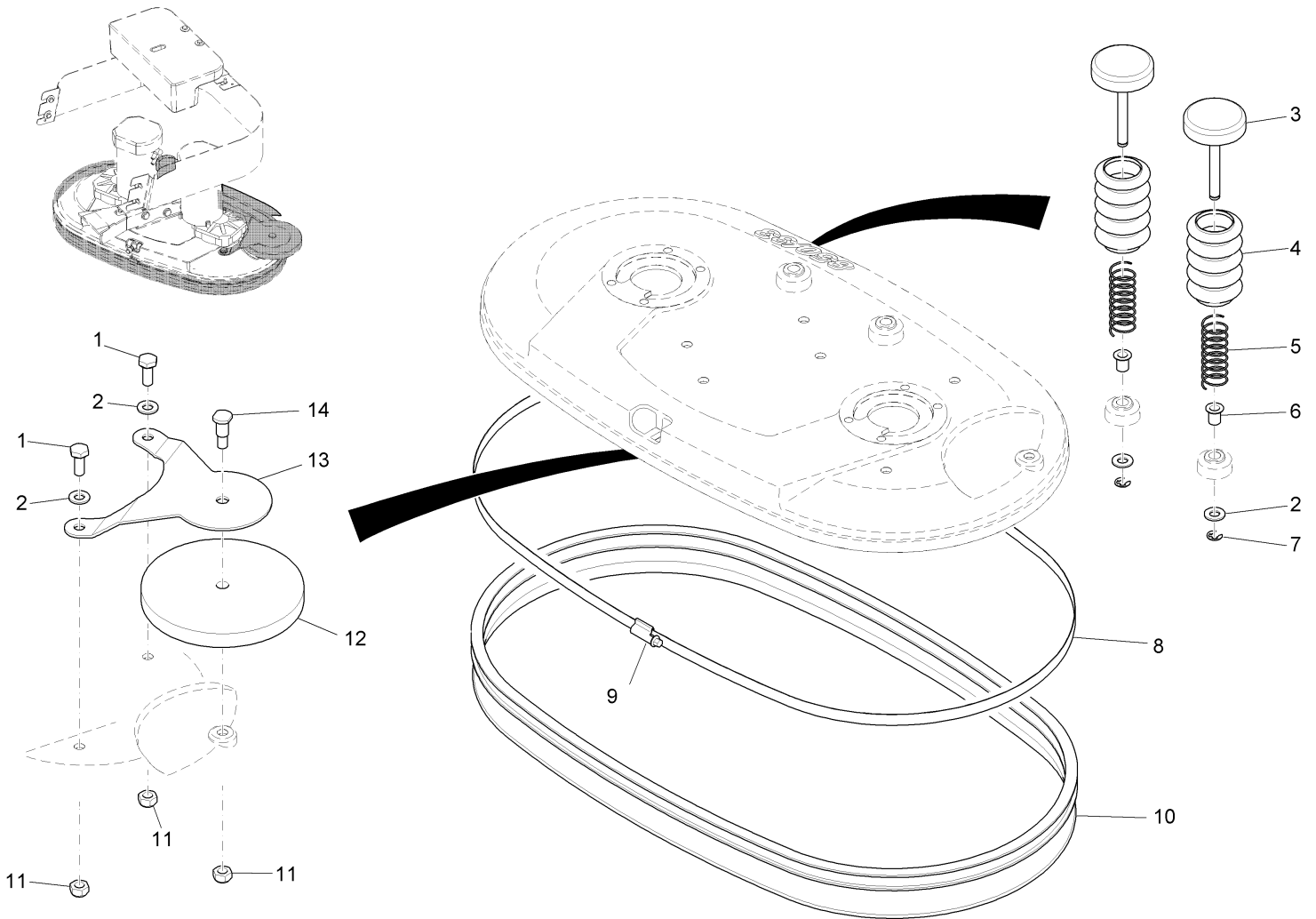
Brush head DB33 part 1 (97099212-1)



Brush head DB33 part 1 (97099212-1)

Item	Part number	Description	Qty.	Remarks
33	99784500	Plate brush 430 SIC PA 6.1 K120	2	Extremely heavy soiling and basic cleaning, bristling SIC PA 6.12 grain 120 green

Brush head DB33 part 2 (97099212-2)



Brush head DB33 part 2 (97099212-2)

Item	Part number	Description	Qty.	Remarks
1	00053310	Hexagon screw	2	
2	00053760	Washer	2	
3	01078000	Ejector	2	
4	01078350	Bellow	2	
5	01078340	Compression spring	2	
6	01078360	Slide bearing bush	2	
7	00046280	Thrust washer	2	
8	00712300	Tension band	2440 mm	
9	00901390	Tension band lock	1	
10	01079970	Sealing strip	1	
11	00051500	Hexagon nut	3	
12	01170190	Deflector roller	1	
13	01170180	Retainer	1	
14	01077570	Screw	1	

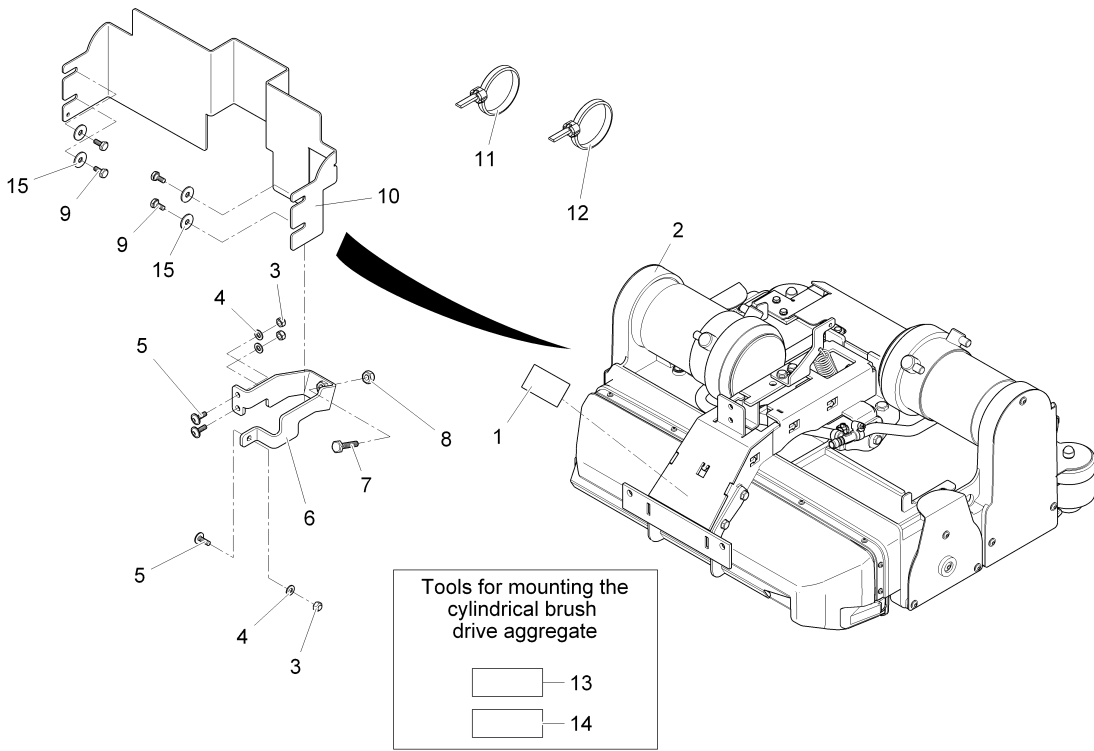
Brush head DB33 part 3 (97099212-3)

Item	Part number	Description	Qty.	Remarks
1	00053120	Hexagon screw	2	
2	00042900	Washer	7	
3	00051500	Hexagon nut	2	
4	03008090	Weight	1	
5	00053080	Hexagon screw	5	
6	01170210	Covering	1	
7	00879650	Bolt	2	
8	00054870	Cotter pin	2	
9	00053770	Washer	8	
10	01171330	Slide bearing bush	4	
11	01171350	Rocker	1	
12	03008790	Backing film	1	
13	00121150	Cable tie	7	
14	00967760	Cable tie	2	
15	01170520	Retainer	1	
16	00053310	Hexagon screw	2	
17	00053760	Washer	2	
18	01102770	Approach disk	4	

Cylindrical brush drive head 60cm (7576.02)

Assembly	Description	Page
97099451	Cylindrical brush drive head 60cm	90

Cylindrical brush drive head 60cm (97099451)



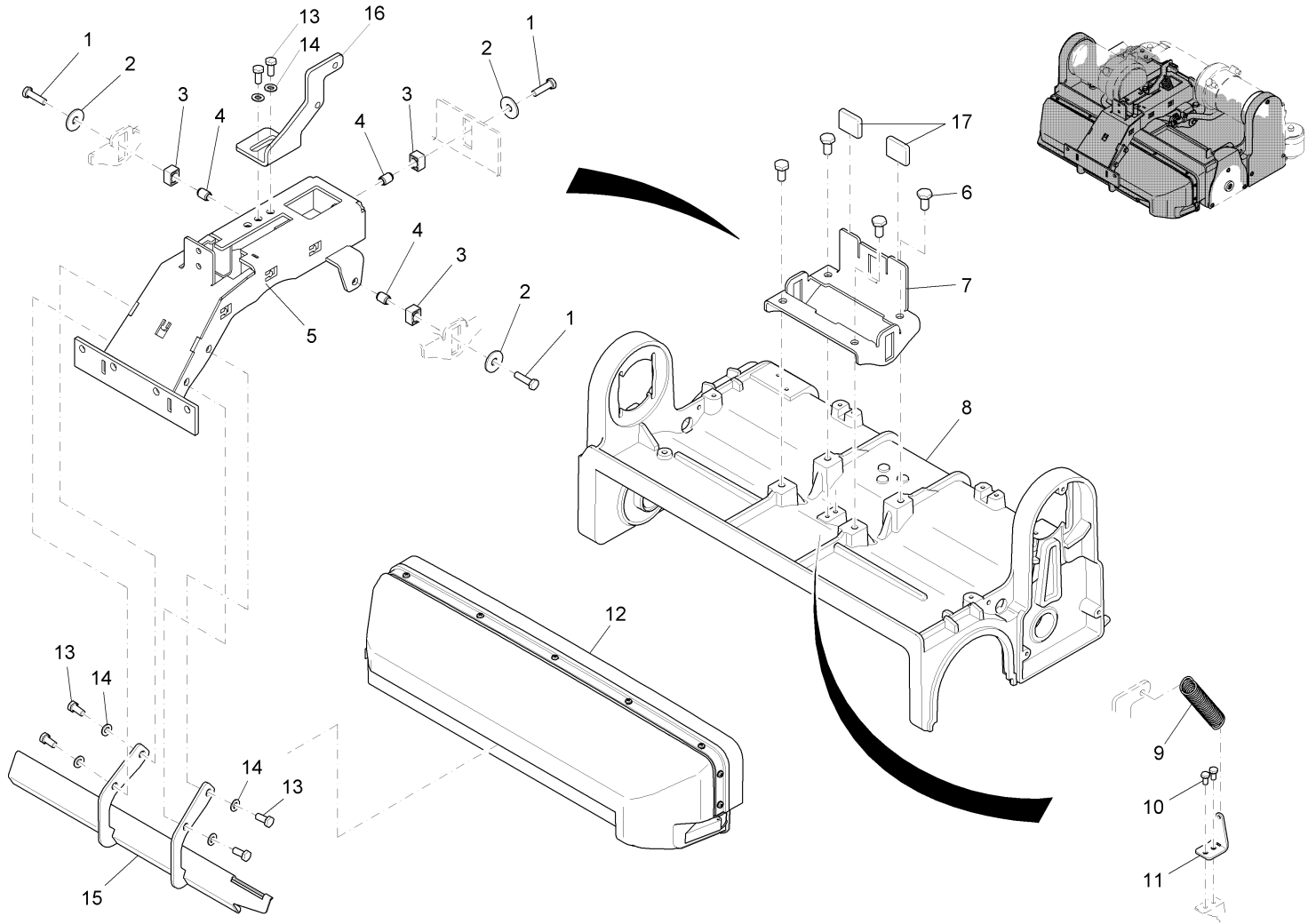
Cylindrical brush drive head 60cm (97099451)

Item	Part number	Description	Qty.	Remarks
1	03008790	Backing film	1	
2	97099444	Cylindrical brush drive head cpl.	Page	92
3	00051510	Hexagon nut	2	
4	00053750	Washer	3	
5	01000670	Lens flange screw	3	
6	01170070	Retainer	1	
7	00053170	Hexagon screw	1	
8	00051500	Hexagon nut	1	
9	00053080	Hexagon screw	4	
10	01170080	Sheet metal	1	
11	00121150	Cable tie	6	
12	00967760	Cable tie	4	
13	03006790	Wiring harness to error reset	1	see Circular letter KUD 26 (2006-12-01)
14	01078870	Adjusting kit BRUSHES AGGREGATE	1	see Circular letter KUD 26 (2006-12-01)
15	00042900	Washer	4	

Cylindrical brush drive head cpl. (97099444)

Assembly	Description	Page
97099444-1	Cylindrical brush drive head cpl., part 1	93
97099444-2	Cylindrical brush drive head cpl., part 2	97
97099444-3	Cylindrical brush drive head cpl., part 3	101

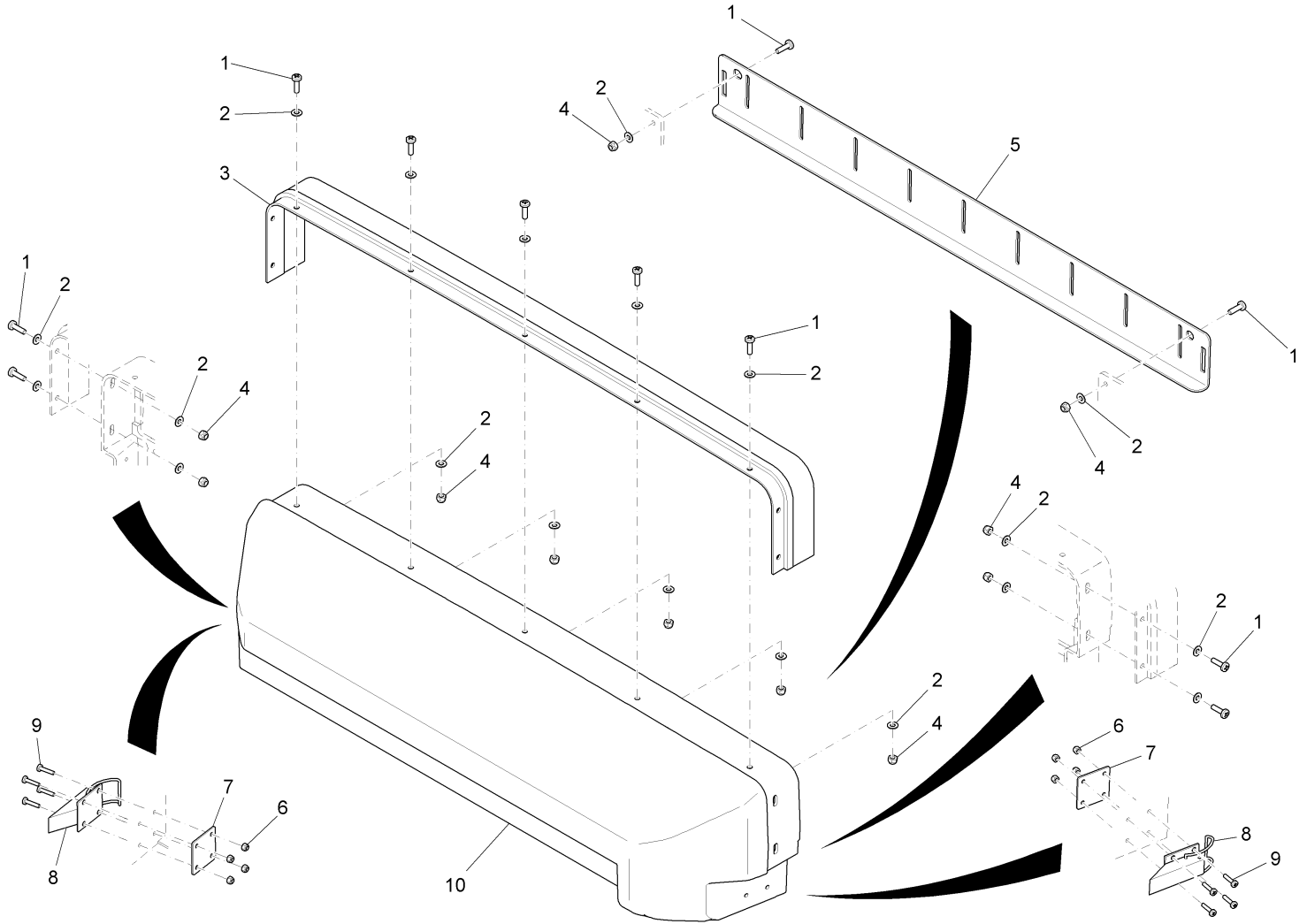
Cylindrical brush drive head cpl., part 1 (97099444-1)



Cylindrical brush drive head cpl., part 1 (97099444-1)

Item	Part number	Description	Qty.	Remarks
1	01078690	Hexagon screw	3	
2	01161070	Washer	3	
3	01078700	Slide block	3	
4	01077730	Bushing	3	
5	03007970	Rocker cylindrical brush	1	
6	01078720	Hexagon screw	4	
7	01170090	Retainer	1	
8	01078740	Housing	1	
9	01072680	Tension spring	1	
10	01071750	Hexagon screw	2	
11	01077890	Angle	1	
12	97087191	Dirt hopper cpl.	Page	95
13	00553690	Hex.bolt	6	
14	00053750	Washer	6	
15	01078750	Guide bar	1	
16	01170100	Spring holder	1	
17	01074240	Cap	2	

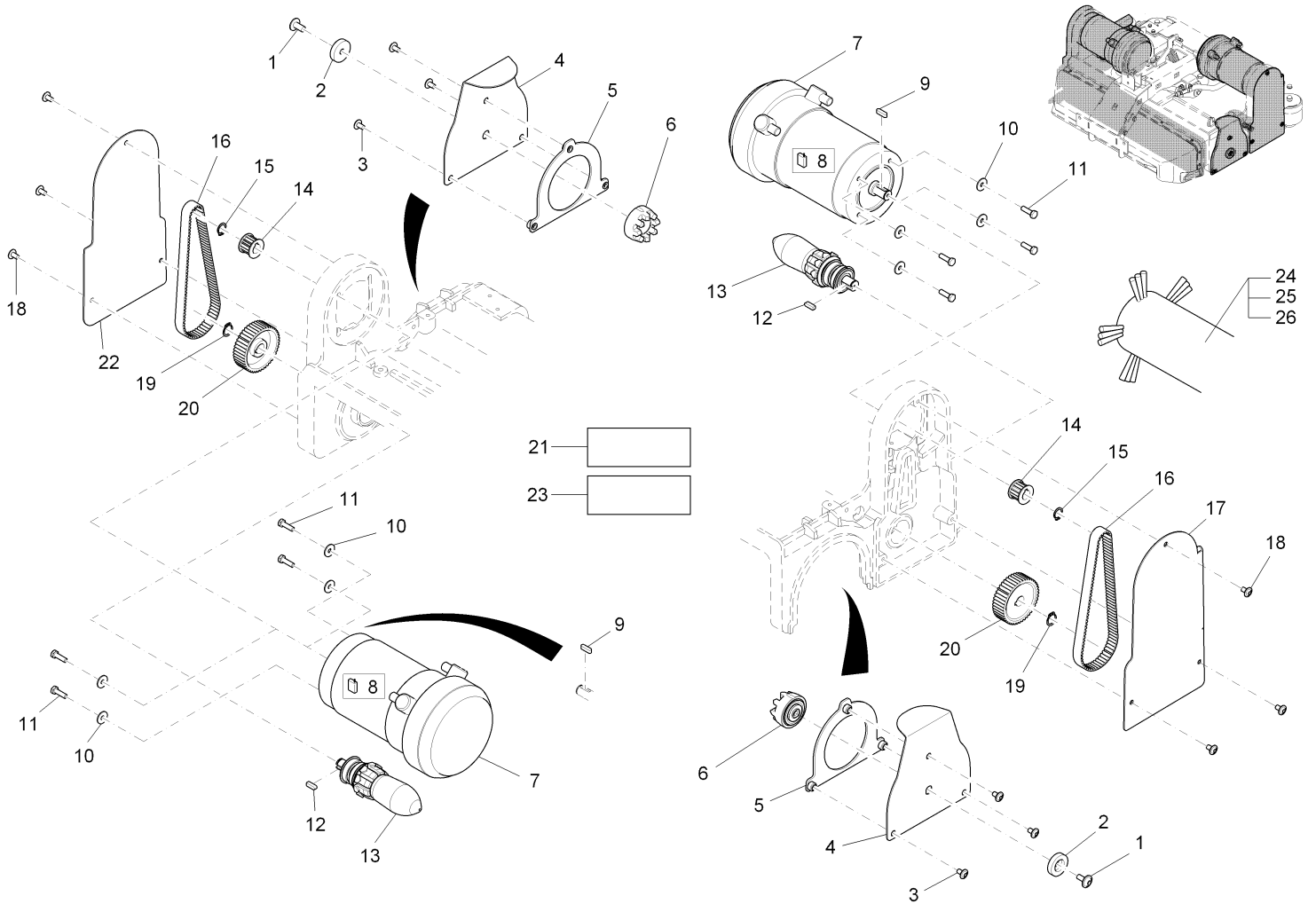
Dirt hopper cpl. (97087191)



Dirt hopper cpl. (97087191)

Item	Part number	Description	Qty.	Remarks
1	01072260	Fillister-head screw	11	
2	00874720	Washer	20	
3	01077690	Broom rail	1	
4	00970190	Hexagon nut	11	
5	01078830	Sheet metal apron	1	
6	01072270	Hex. Nut	8	
7	01076250	Plate	2	
8	01072220	Lock	2	
9	01072230	Fillister-head screw	8	
10	01078840	Dirt container	1	

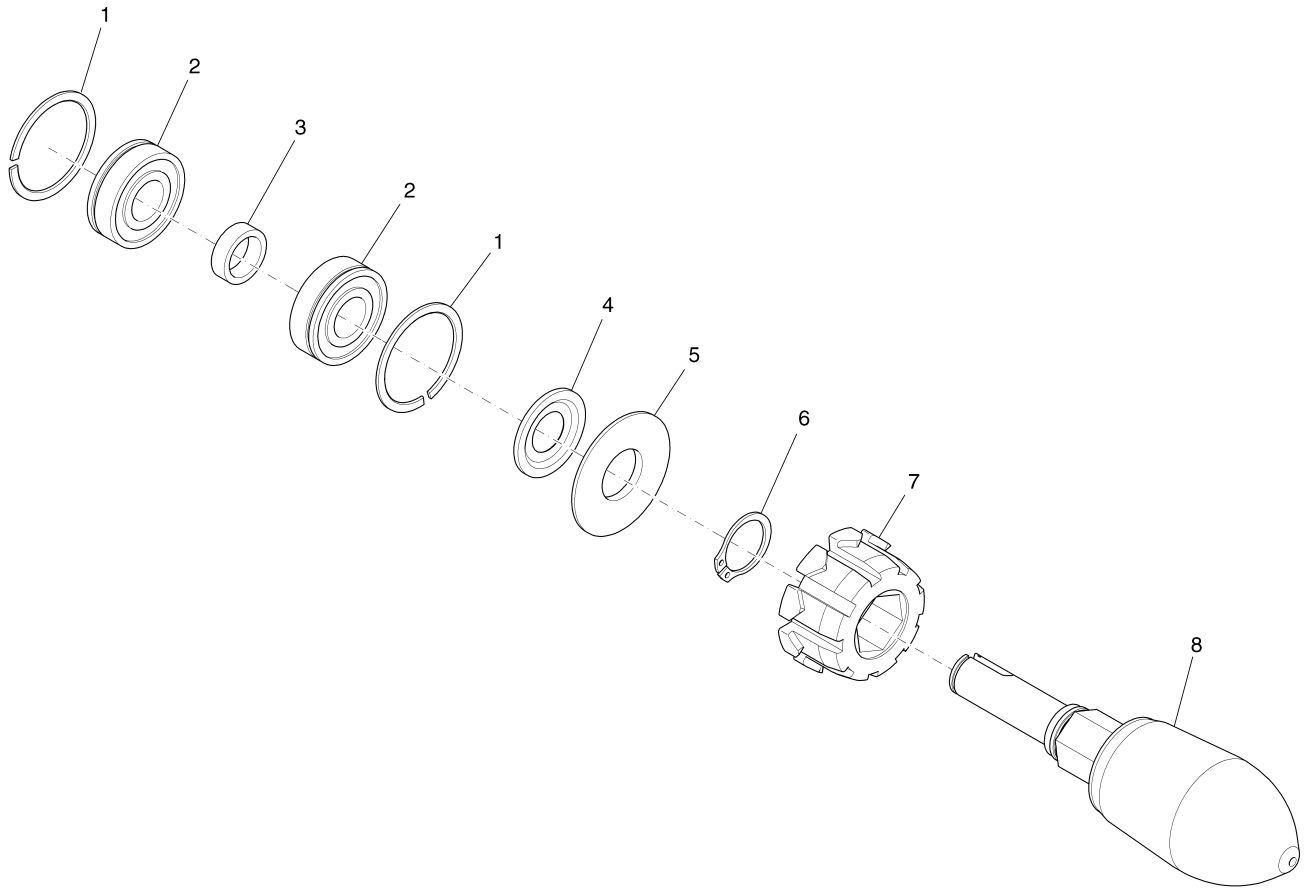
Cylindrical brush drive head cpl., part 2 (97099444-2)



Cylindrical brush drive head cpl., part 2 (97099444-2)

Item	Part number	Description	Qty.	Remarks
1	01074320	Lens flange screw	2	
2	01074330	Washer	2	
3	01072520	Lens flange screw	6	
4	01078760	Side cover	2	
5	01078770	Centering bend	2	
6	01074340	Bearing	2	
7	01077190	Motor	2	
8	00553060	Set (4pc.) carbon brush	4	
9	00022430	Feather key	2	
10	00135120	Washer	8	
11	00053020	Hexagon screw	8	
12	01072580	Feather key	2	
13	01072560	Carrier, cpl.	Page	99
14	01072460	Toothed belt pulley	2	
15	00022440	Retaining ring	2	
16	01072540	Toothed belt	2	
17	01170510	Sheet metal R.H.	1	
18	01072520	Lens flange screw	6	
19	00022340	Retaining ring	2	
20	01072570	Toothed belt pulley	2	
21	03007980	Wiring harness W13	1	
22	01078790	Sheet metal L.H.	1	
23	03007990	Wiring harness W14	1	
24	99702100	Brush set cyl. brush PA 6-0,7	1	Degree of soiling light to medium, PA 6 - 0,7
25	99702200	Brush set cyl. brush PA 6.12 Korn 500	1	Degree of soiling medium to heavy, structured flooring, SIC PA 6. 12, Kom 500
26	99702300	Brush set cyl. brush PA 6.12 Korn 180	1	Very heavy soiling and basic cleaning, SIC PA 6. 12, Kom 180

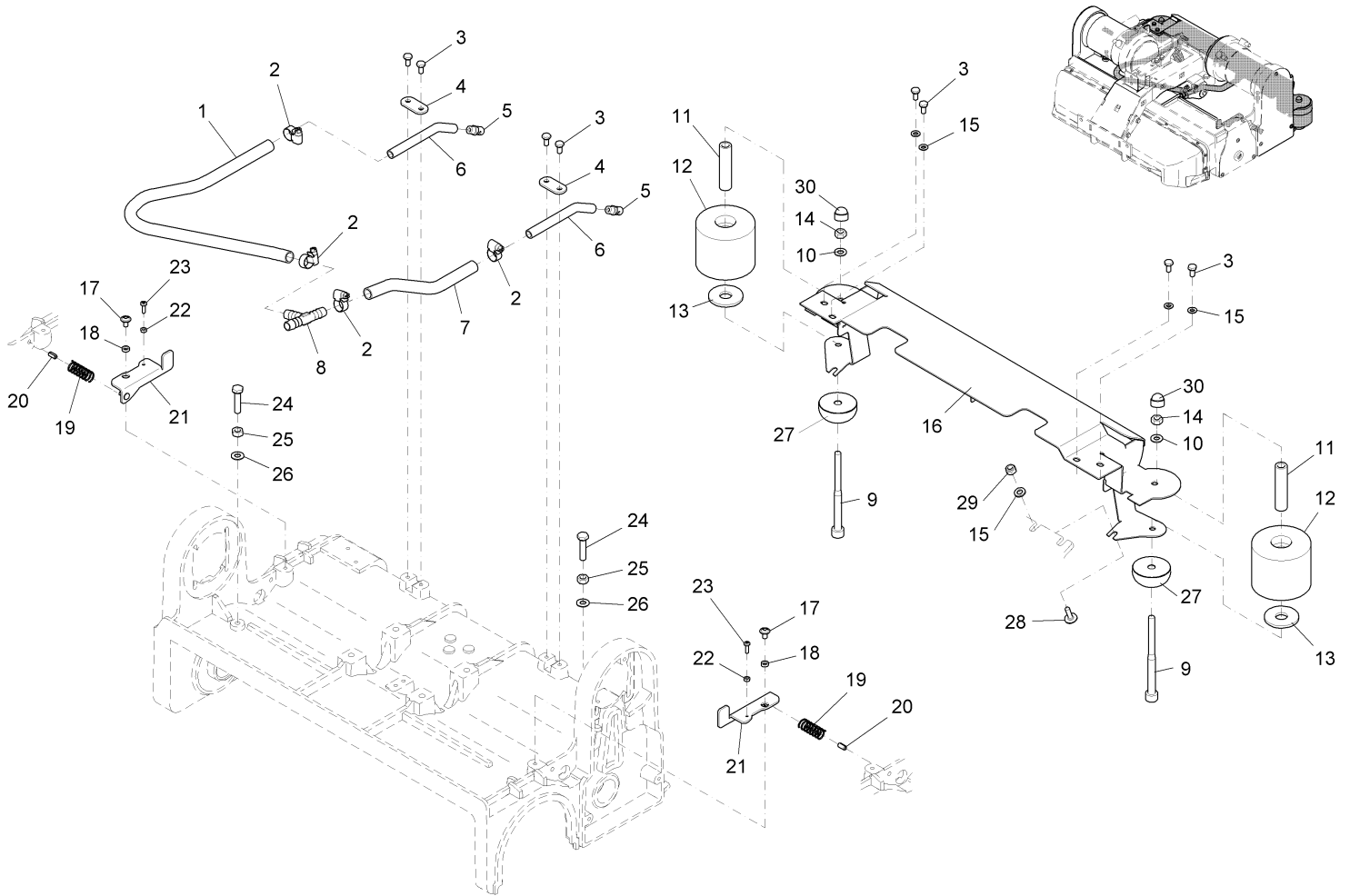
Carrier, cpl. (01072560)



Carrier, cpl. (01072560)

Item	Part number	Description	Qty.	Remarks
1	01078820	Circlip	2	
2	01076560	Grooved ball bearing	2	
3	01077520	Bushing	1	
4	00124220	Ring	1	
5	01077550	Bushing	1	
6	00054310	Retaining ring	1	
7	01077540	Bushing	1	
8	01077530	Retainer	1	

Cylindrical brush drive head cpl., part 3 (97099444-3)



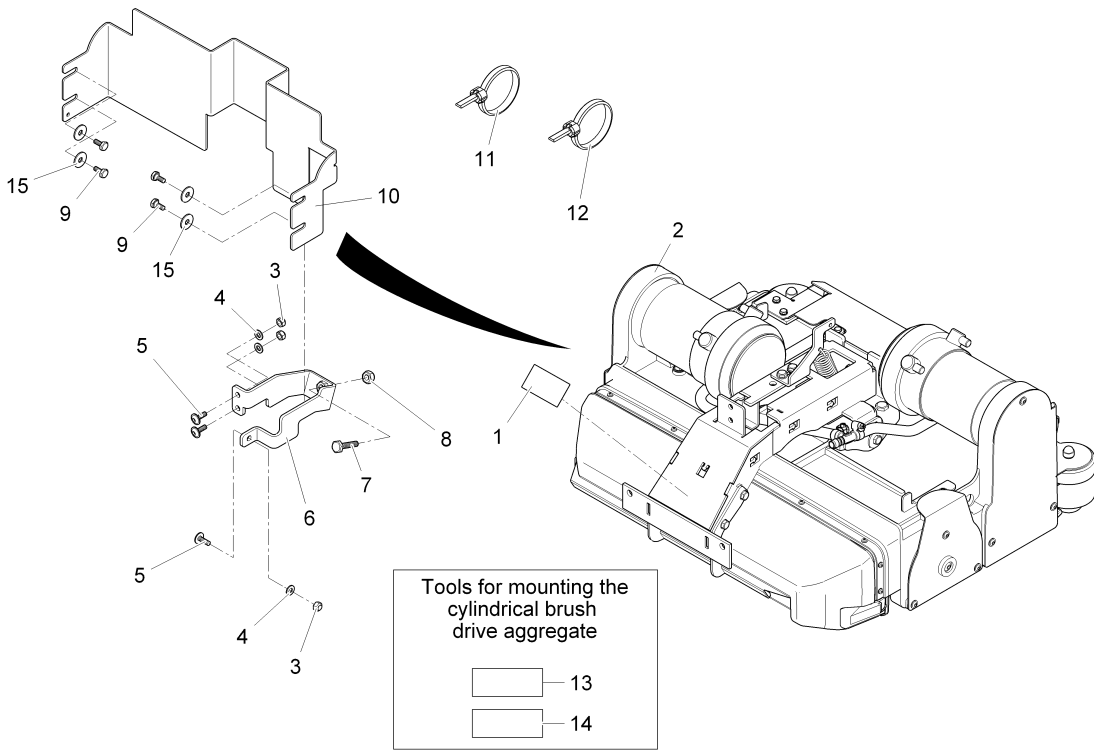
Cylindrical brush drive head cpl., part 3 (97099444-3)

Item	Part number	Description	Qty.	Remarks
1	00171030	Hose	520mm	
2	00074300	Hose clamp	4	
3	01071750	Hexagon screw	8	
4	01072500	Clamping sheet metal	2	
5	01072640	Jet	2	
6	01072630	Pipe	2	
7	00171030	Hose	240mm	
8	00976160	T-piece	1	
9	01170110	Socket head screw	2	
10	00053750	Washer	4	
11	01078800	Pipe	2	
12	00976590	Roller	2	
13	00132610	Washer	2	
14	00051510	Hexagon nut	2	
15	00102150	Washer	6	
16	01078810	Cross beam	1	
17	01072520	Lens flange screw	2	
18	01073360	Bushing	2	
19	00550870	Cyl.compression spring	2	
20	00107140	Dowel pin	2	
21	01072620	Lever, cpl.	2	
22	01072510	Hex. Nut	2	
23	01072260	Fillister-head screw	2	
24	00523810	Hex.bolt	2	
25	00971400	Hexagon nut	2	
26	00101550	Washer	2	
27	01170120	Stop	2	
28	01015340	Lens flange screw	2	
29	00051520	Hexagon nut	2	
30	00131610	Lens cap	2	

Cylindrical brush drive head 70cm (7036.00)

Assembly	Description	Page
97099576	Cylindrical brush drive head 700	104

Cylindrical brush drive head 700 (97099576)



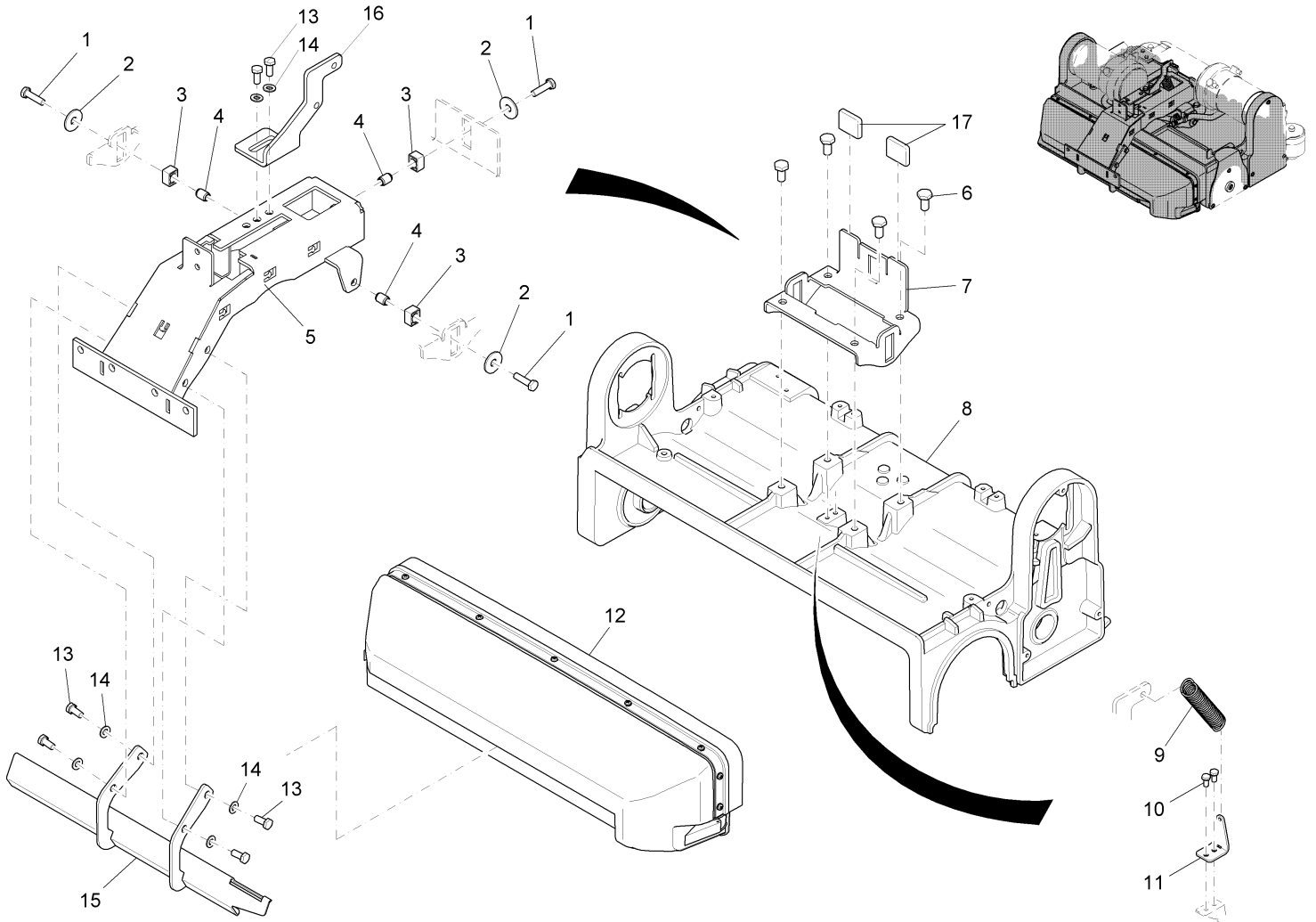
Cylindrical brush drive head 700 (97099576)

Item	Part number	Description	Qty.	Remarks
1	03008790	Backing film	1	
2	97090021	Cylindrical brush drive head cpl.	Page	106
3	00051510	Hexagon nut	2	
4	00053750	Washer	3	
5	01000670	Lens flange screw	3	
6	01170070	Retainer	1	
7	00053170	Hexagon screw	1	
8	00051500	Hexagon nut	1	
9	00053080	Hexagon screw	4	
10	01170080	Sheet metal	1	
11	00121150	Cable tie	6	
12	00967760	Cable tie	4	
13	03006790	Wiring harness to error reset	1	see Circular letter KUD 26 (2006-12-01)
14	01078870	Adjusting kit BRUSHES AGGREGATE	1	see Circular letter KUD 26 (2006-12-01)
15	00042900	Washer	4	

Cylindrical brush drive head cpl. (97090021)

Assembly	Description	Page
97090021-1	Cylindrical brush drive head cpl., part 1	107
97090021-2	Cylindrical brush drive head cpl., part 2	111
97090021-3	Cylindrical brush drive head cpl., part 3	115

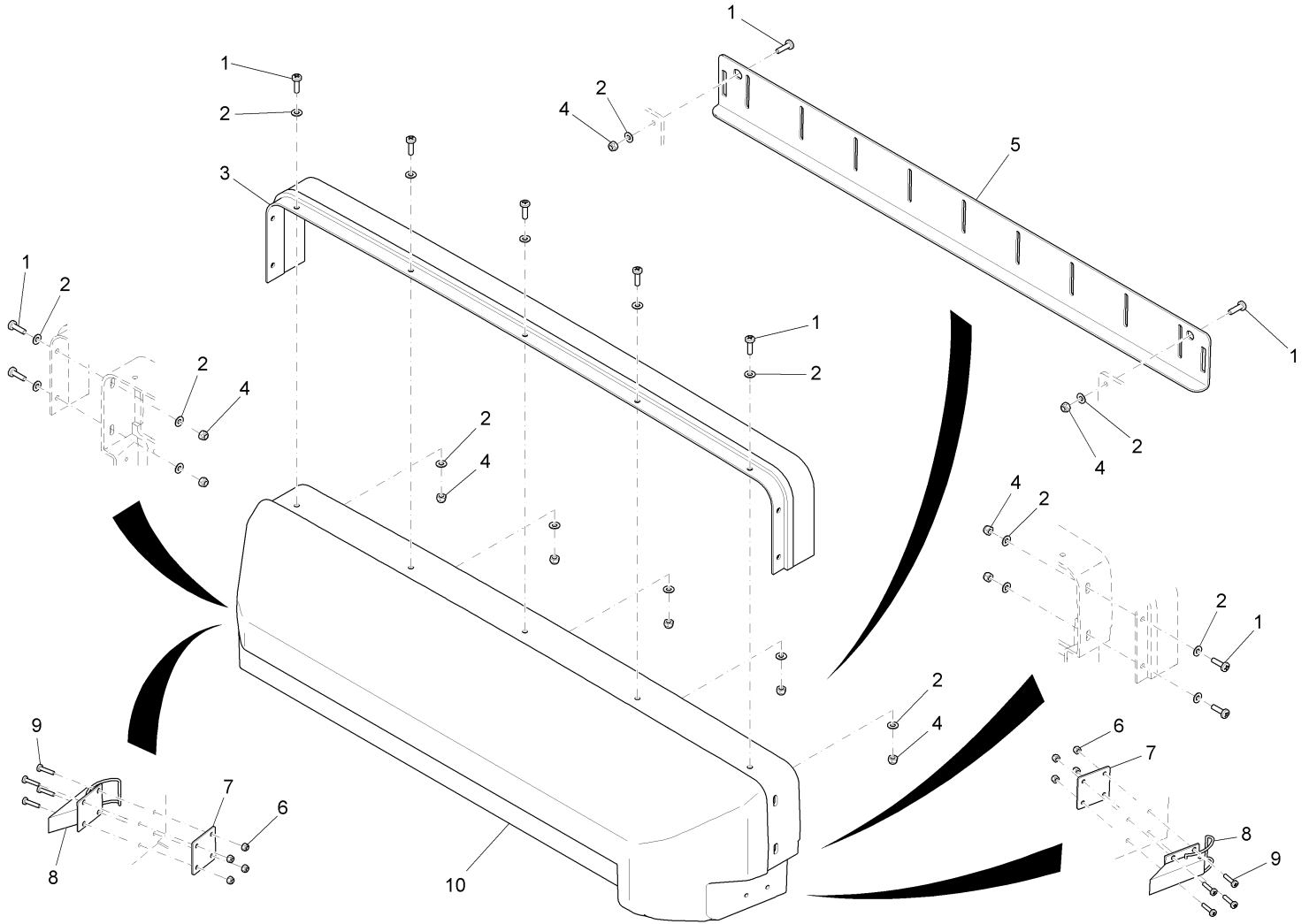
Cylindrical brush drive head cpl., part 1 (97090021-1)



Cylindrical brush drive head cpl., part 1 (97090021-1)

Item	Part number	Description	Qty.	Remarks
1	01078690	Hexagon screw	3	
2	01161070	Washer	3	
3	01078700	Slide block	3	
4	01077730	Bushing	3	
5	03007970	Rocker cylindrical brush	1	
6	01078720	Hexagon screw	4	
7	01170090	Retainer	1	
8	01170780	Housing	1	
9	01072680	Tension spring	1	
10	01071750	Hexagon screw	2	
11	01077890	Angle	1	
12	03011040	Dirt container	Page	109
13	00553690	Hex.bolt	6	
14	00053750	Washer	6	
15	01170540	Guide bar	1	
16	01170100	Spring holder	1	
17	01074240	Cap	2	

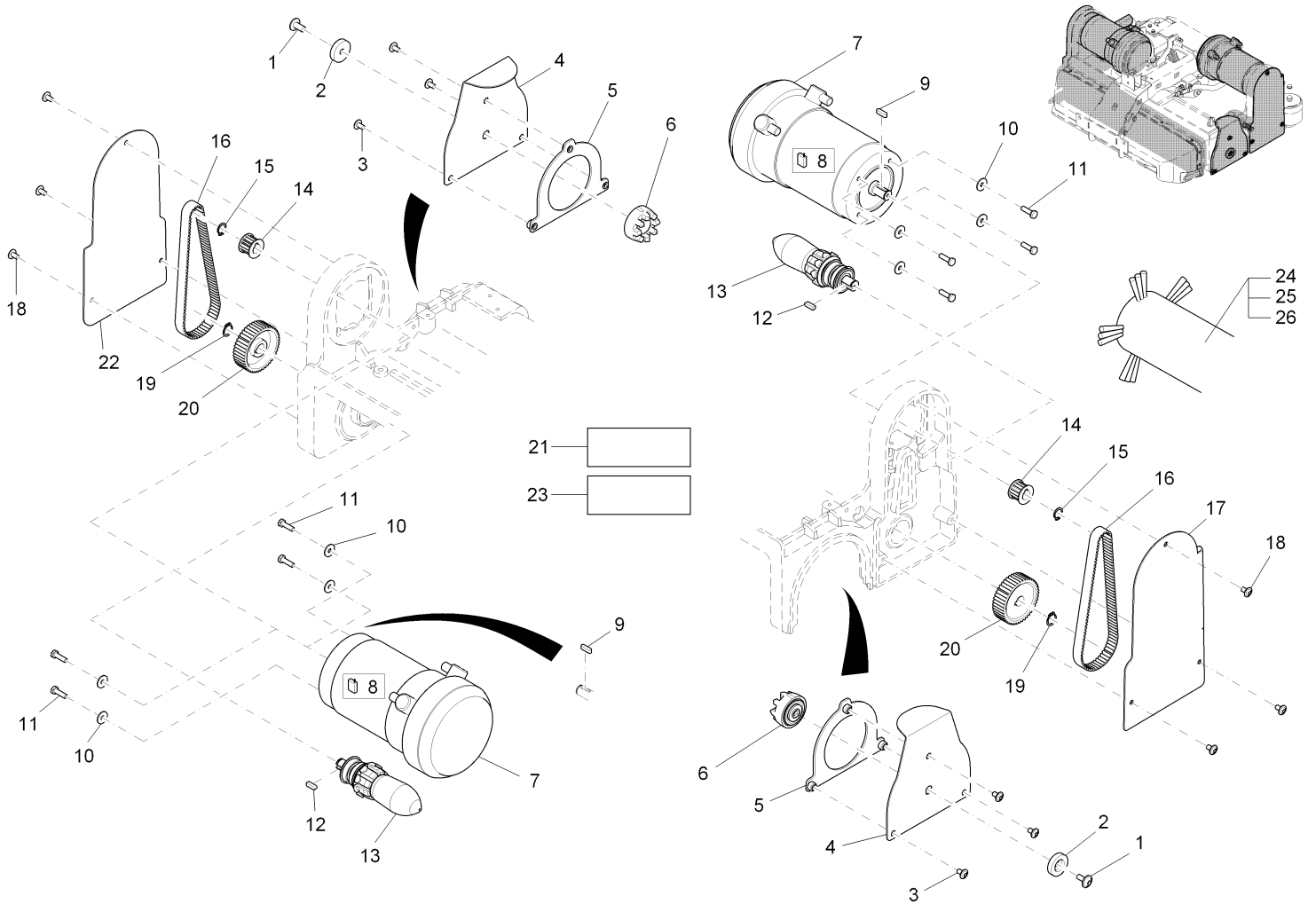
Dirt container (03011040)



Dirt container (03011040)

Item	Part number	Description	Qty.	Remarks
1	01072260	Fillister-head screw	11	
2	00874720	Washer	20	
3	01072240	Brush rails	1	
4	00970190	Hexagon nut	11	
5	01072250	Panel apron	1	
6	01072270	Hex. Nut	8	
7	01076250	Plate	2	
8	01072220	Lock	2	
9	01072230	Fillister-head screw	8	
10	01072210	Dirt hopper, cpl.	1	

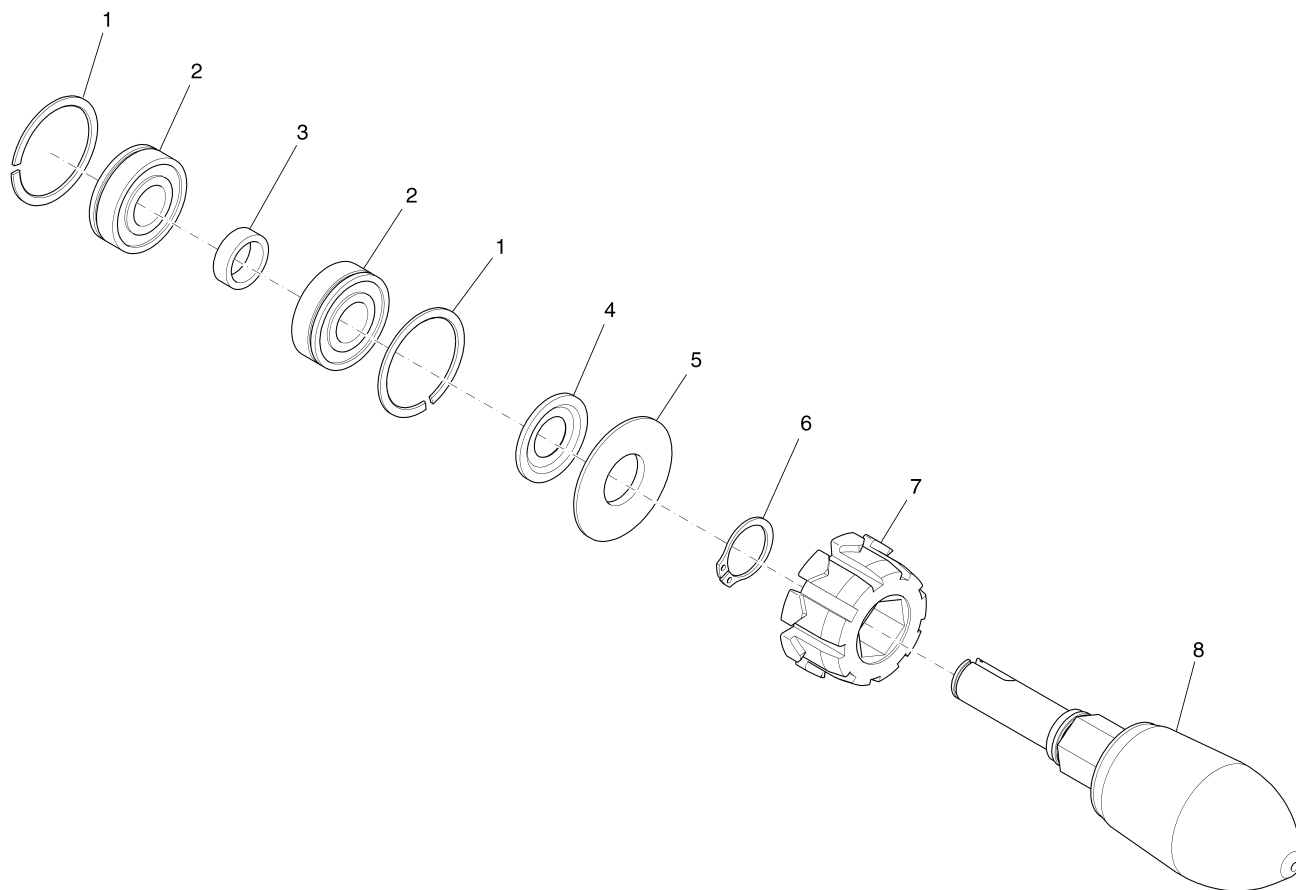
Cylindrical brush drive head cpl., part 2 (97090021-2)



Cylindrical brush drive head cpl., part 2 (97090021-2)

Item	Part number	Description	Qty.	Remarks
1	01074320	Lens flange screw	2	
2	01074330	Washer	2	
3	01072520	Lens flange screw	6	
4	01078760	Side cover	2	
5	01078770	Centering bend	2	
6	01074340	Bearing	2	
7	01072450	Motor	2	
8	00553060	Set (4pc.) carbon brush	4	
9	00022430	Feather key	2	
10	00135120	Washer	8	
11	00053020	Hexagon screw	8	
12	01072580	Feather key	2	
13	01072560	Carrier, cpl.	Page	113
14	01072460	Toothed belt pulley	2	
15	00022440	Retaining ring	2	
16	01072540	Toothed belt	2	
17	01170510	Sheet metal R.H.	1	
18	01072520	Lens flange screw	6	
19	00022340	Retaining ring	2	
20	01072570	Toothed belt pulley	2	
21	03007980	Wiring harness W13	1	
22	01078790	Sheet metal L.H.	1	
23	03007990	Wiring harness W14	1	
24	99709600	Set cyl. brushes 150 PA 0,7	1	Degree of soiling light to medium, PA 6 - 0,7
25	99709900	Set cyl brush	1	Degree of soiling medium to heavy, structured flooring, SIC PA 6. 12, Kom 500
26	99709400	Set of cylindrical brushes 150 Sic PA 6.	1	Very heavy soiling and basic cleaning, SIC PA 6. 12, Kom 180

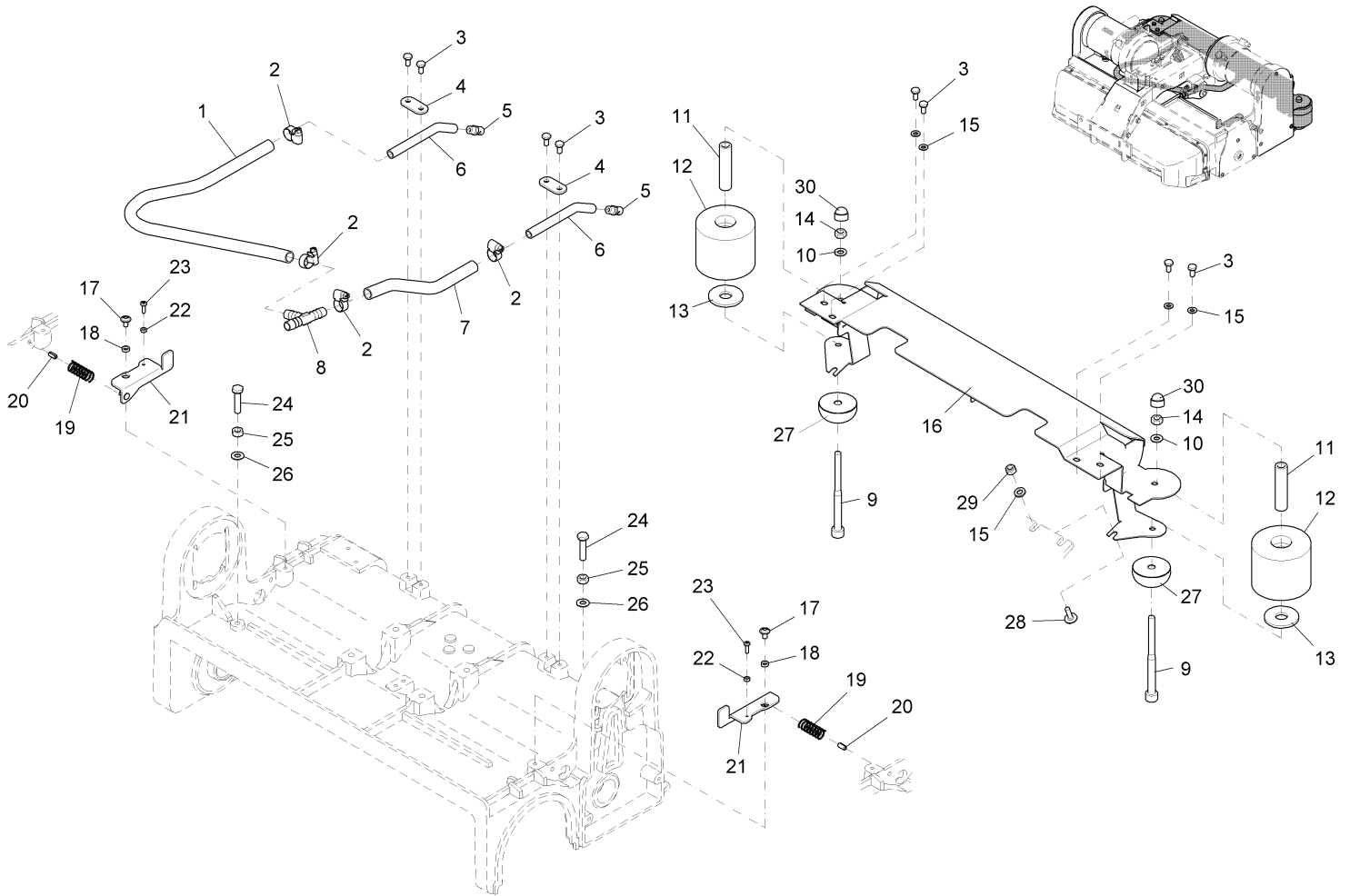
Carrier, cpl. (01072560)



Carrier, cpl. (01072560)

Item	Part number	Description	Qty.	Remarks
1	01078820	Circlip	2	
2	01076560	Grooved ball bearing	2	
3	01077520	Bushing	1	
4	00124220	Ring	1	
5	01077550	Bushing	1	
6	00054310	Retaining ring	1	
7	01077540	Bushing	1	
8	01077530	Retainer	1	

Cylindrical brush drive head cpl., part 3 (97090021-3)



Cylindrical brush drive head cpl., part 3 (97090021-3)

Item	Part number	Description	Qty.	Remarks
1	00171030	Hose	520mm	
2	00074300	Hose clamp	4	
3	01071750	Hexagon screw	8	
4	01072500	Clamping sheet metal	2	
5	01072640	Jet	2	
6	01072630	Pipe	2	
7	00171030	Hose	240mm	
8	00976160	T-piece	1	
9	01170110	Socket head screw	2	
10	00053750	Washer	4	
11	01078800	Pipe	2	
12	00976590	Roller	2	
13	00132610	Washer	2	
14	00051510	Hexagon nut	2	
15	00102150	Washer	6	
16	01170600	Cross beam	1	
17	01072520	Lens flange screw	2	
18	01073360	Bushing	2	
19	00550870	Cyl.compression spring	2	
20	00107140	Dowel pin	2	
21	01072620	Lever, cpl.	2	
22	01072510	Hex. Nut	2	
23	01072260	Fillister-head screw	2	
24	00523810	Hex.bolt	2	
25	00971400	Hexagon nut	2	
26	00101550	Washer	2	
27	01170120	Stop	2	
28	01015340	Lens flange screw	2	
29	00051520	Hexagon nut	2	
30	00131610	Lens cap	2	

Warranty Information

Revision F
Effective November 1, 2008
PowerBoss Made Simple Industrial Limited Warranty

Minuteman International owner of PowerBoss warrants to the original purchaser/user that the product is free from defects in workmanship and materials under normal use. PowerBoss will, at its option, repair or replace without charge, parts that fail under normal use and service when operated and maintained in accordance with the applicable operation and instruction manuals. All warranty claims must be submitted through and approved by factory authorized repair stations.

This warranty does not apply to normal wear, or to items whose life is dependent on their use and care. Parts not manufactured by PowerBoss are covered by and subject to the warranties and/or guarantees of their manufacturers. Please contact Minuteman International for procedures in warranty claims against these manufacturers.

Special warning to purchaser -- Use of replacement parts not manufactured by PowerBoss or its designated licensees, will void all warranties expressed or implied. A potential health hazard exists without original equipment replacement.

All warranted items become the sole property of Minuteman International or PowerBoss or its original manufacturer, whichever the case may be.

PowerBoss disclaims any implied warranty, including the warranty of merchantability and the warranty of fitness for a particular purpose. PowerBoss assumes no responsibility for any special, incidental or consequential damages.

This limited warranty is applicable only in the U.S.A. and Canada, and is extended only to the original user/purchaser of this product. Customers outside the U.S.A. and Canada should contact their local distributor for export warranty policies. PowerBoss is not responsible for costs or repairs performed by persons other than those specifically authorized by PowerBoss. This warranty does not apply to damage from transportation, alterations by unauthorized persons, misuse or abuse of the equipment, use of non-compatible chemicals, or damage to property, or loss of income due to malfunctions of the product. If a difficulty develops with this machine, you should contact the dealer from whom it was purchased.

This warranty gives you specific legal rights, and you may have other rights, which vary from state to state. Some states do not allow the exclusion or limitation of special, incidental or consequential damages, or limitations on how long an implied warranty lasts, so the above exclusions and limitations may not apply to you.

	Travel*	Labor	Parts	Engine	Extended Warranty	Costs
Walk behinds						
Battery sweepers	Ninety days	One year	One year	N/A	2 years Parts + Labor (or 2000 Hours)	2%
IC sweepers	Ninety days	One year	One year	Through manufacturer	2 years Parts + Labor (or 2000 Hours)	2%
Battery scrubbers	Ninety days	Two years	Three years	N/A	3 Years Parts + Labor (or 3000 Hours)	2%
Riders						
Battery scrubbers	Ninety days	Two years	Three years/2000 hrs	N/A	3 Years Parts + Labor (or 3000 Hours)	2%
IC sweeper/scrubbers	Ninety days	Six months	Two years/2000 hrs	Two years/3000 hrs**	2 years Parts + Labor (or 2000 Hours)	3%
IC sweepers	Ninety days	Six months	Four years/3000 hrs	Five years/3000 hrs**	4 Years Parts + 2 Years Labor (or 4000 Hours)	3%
Exceptions						
Apex series sweeper	Ninety days	One year	One year/1000 hrs	One year/1000 hrs**	2 years Parts + Labor (or 2000 Hours)	3%
6X sweeper	Ninety days	Six months	Two years/2000 hrs	Two years/2000 hours**	2 years Parts + Labor (or 2000 Hours)	3%

Tank Bladders Eight years/ no additional labor
Polypropylene plastic tanks Ten years/ no additional labor
Batteries 0-3 months full replacement, 4-12 prorated credit
Chargers One-year replacement
Replacement parts Ninety days

*Two-hour cap

**Through engine manufacturer. See section 3 of warranty manual for engine warranty exceptions

*** Based upon dealer's certification status

Extended Warranty MUST be signed up within 30 days of delivery to End User (Dealer has 1Year from Receiving Machine to Sign up extended Warranty)

Extended Warranty Cost is based on Invoice Price multiplied by the Percentage listed in the Extended Warranty Column

All above labor and travel reimbursed at 65 or 75% of the published shop rate.



“The Power of Clean”

PowerBoss Is A Full Line Manufacturer Of Sweepers and Scrubbers For Industrial Facilities.

PowerBoss, Inc 175 Anderson Street P.O. Box 1227- Aberdeen North Carolina 28315

Phone: 800-982-7141 - Fax: 1-800-277-7141 Local: 910-944-2105 Fax: 910-944-7409 e-mail: techsupport@powerboss.com

A Member Of The Hako Group